

# ULTIMATE CAROUSEL PLUS - L 900mm (IP2UCL9)

## Assembly and fitting instructions

To fit 900mm x 900mm 'L' shaped base unit.

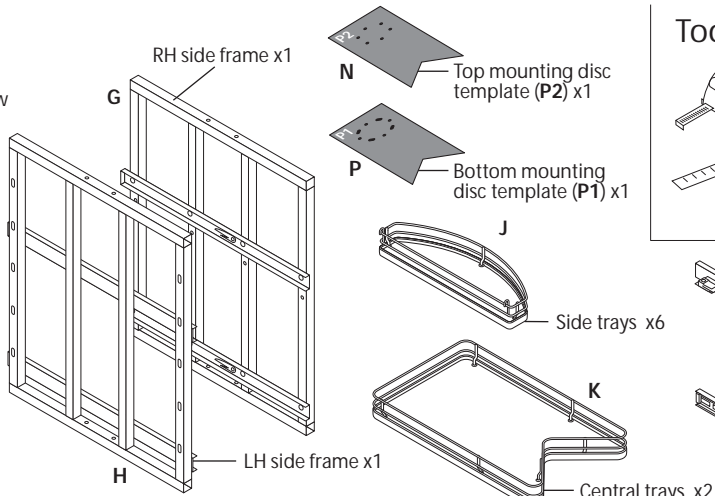
Use 170° door hinges.



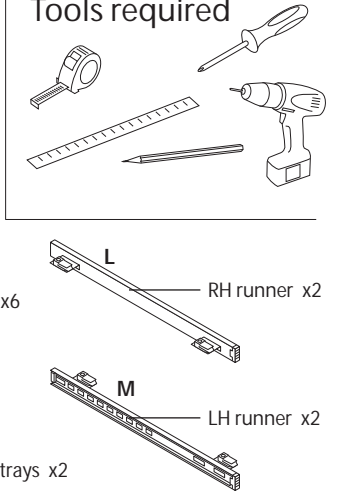
**IMPORTANT** - The unit has a maximum loading limit of 46kg. Load should be evenly distributed across all trays with maximum load capacity for each tray not exceeding 20kg for central trays and 1kg for side trays. All fixings supplied must be used for installation.

### Parts

- A** x8 M6 x 25mm screw
- B** x14 M4 x 16mm countersunk screw
- C** Top mounting disc x1
- D** Bush x1
- E** Top beam x1
- F** Bottom beam incorporating mounting disc x1

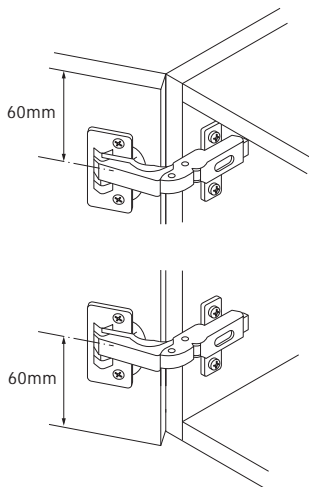


### Tools required

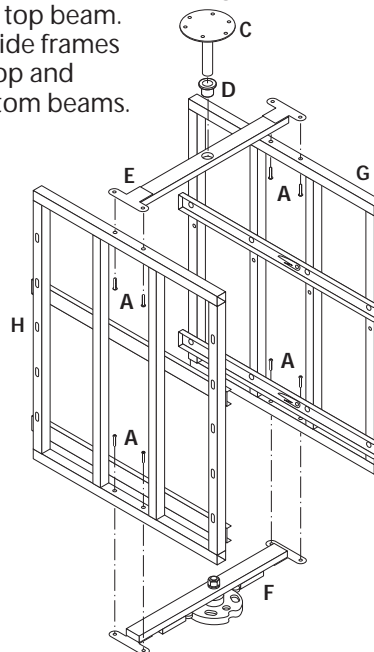


**!** Please ensure that all the above fittings are present before installation begins.

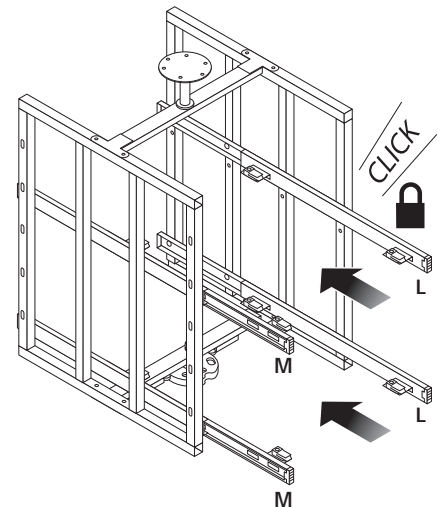
**1** Prepare drillings for door hinges. **DO NOT FIT DOORS AT THIS STAGE.**  
*NOTE: 60mm top and bottom centres for all hinges.*



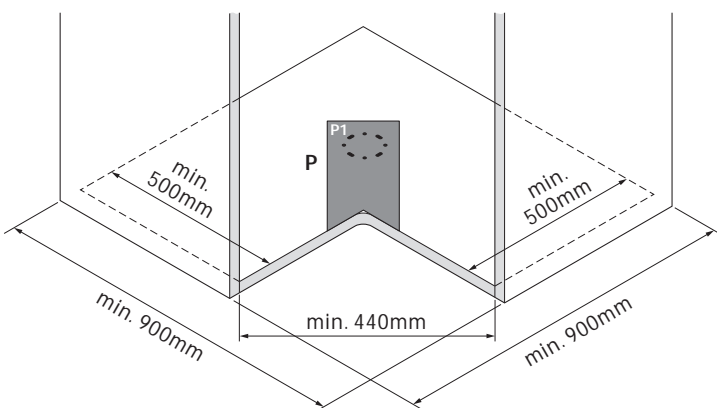
**2** Assemble top mounting disc, bush and top beam. Fit side frames to top and bottom beams.



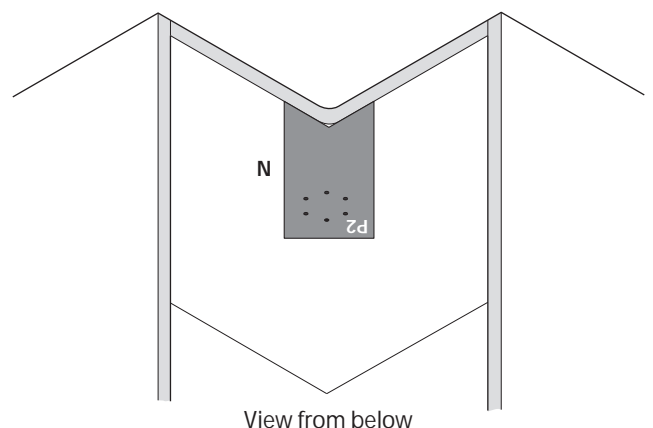
**3** Fit runners to side frames.



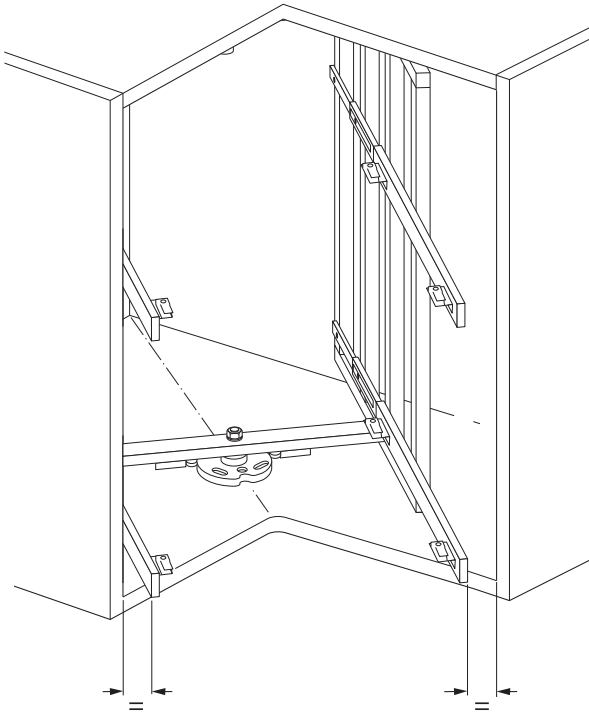
**4** Mark bottom of cabinet for fitting carousel using the template (P1) provided. Drill pilot holes.



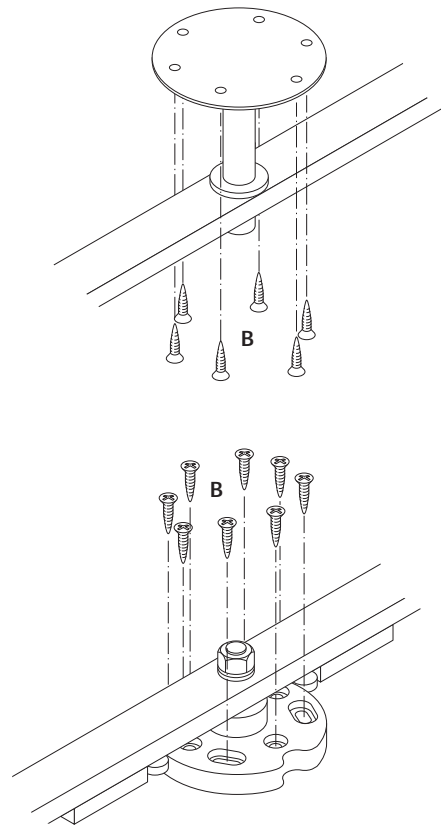
**5** Mark top of cabinet for fitting carousel using the template (P2) provided. Drill pilot holes.



- 6** Insert carousel frame into base unit and align top and bottom mounting discs with pilot holes. When the runners are extended, there should be an equal distance on both sides between the runner and the cabinet side.



- 7** Fit screws.



- 8** Fit trays. Carousel should turn 360° without fouling when shelves are fully retracted.

