

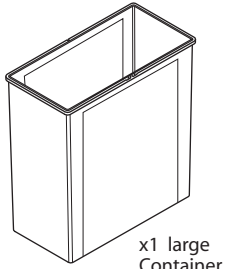
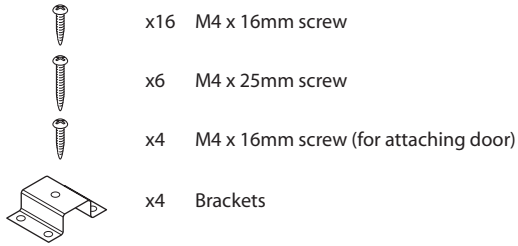
# BIN 19

## Assembly and fitting instructions

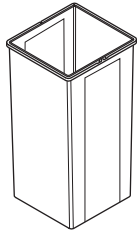


**IMPORTANT - The unit has a maximum loading limit of 30kg including door.**

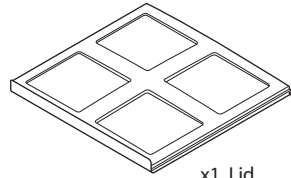
### Parts



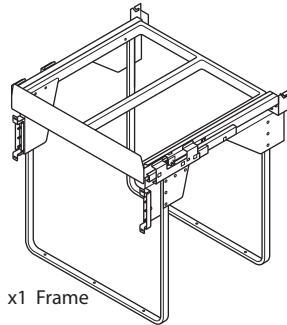
x1 large Container



x2 small Containers



x1 Lid

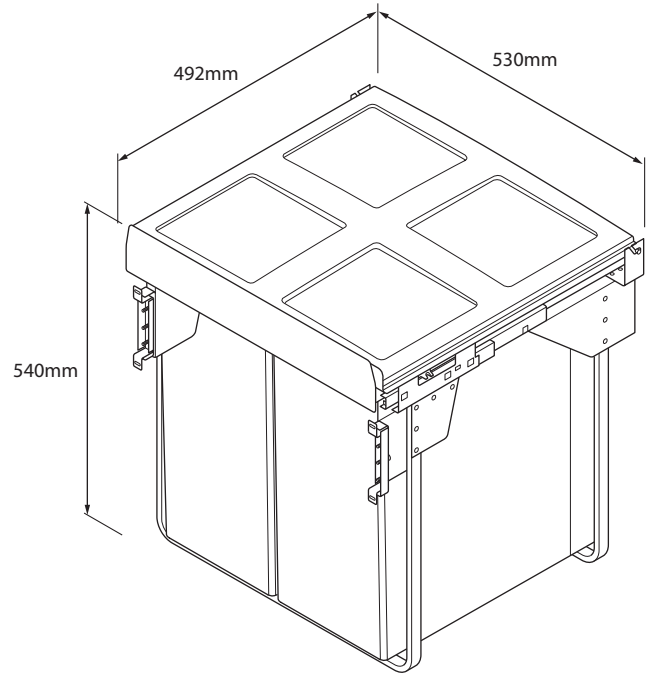


x1 Frame

### IMPORTANT:

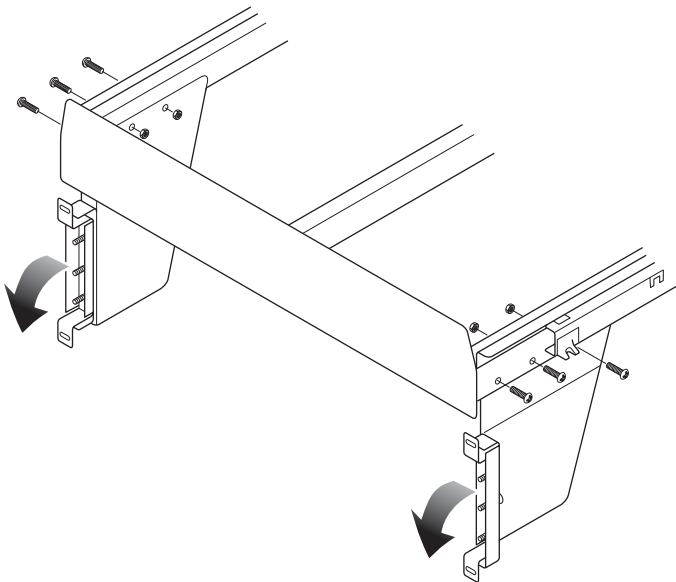
This bin can be installed behind a standard hinged door or with the door fitted to the bin.

### Dimensions - maximum

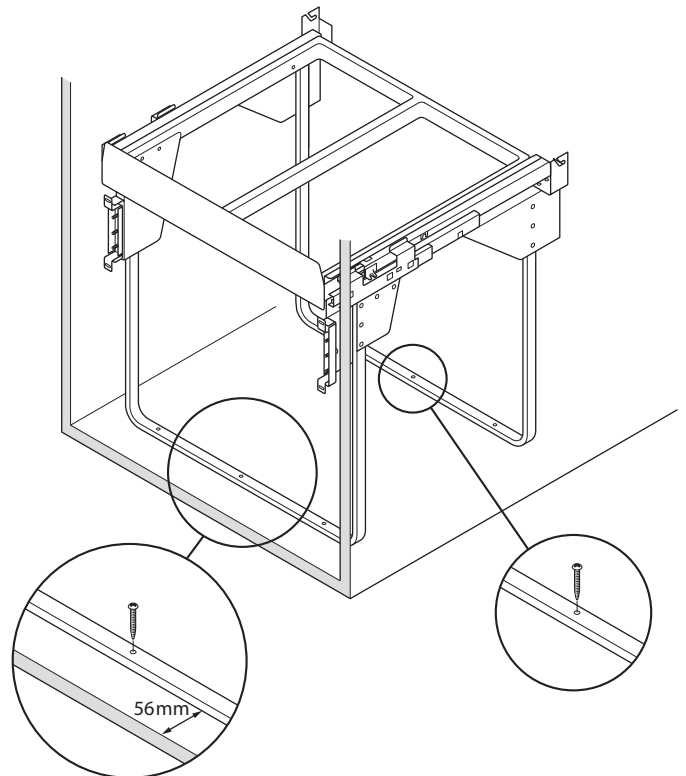


**Please ensure that all the above fittings are present before installation begins.**

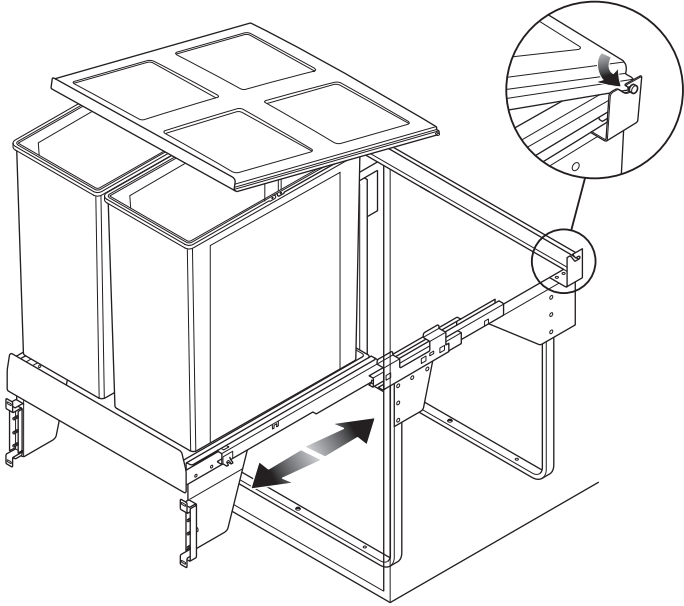
**1** If a door is **NOT** to be fitted to the bin, remove the door fixing brackets by releasing the 6 attached screws and nuts.



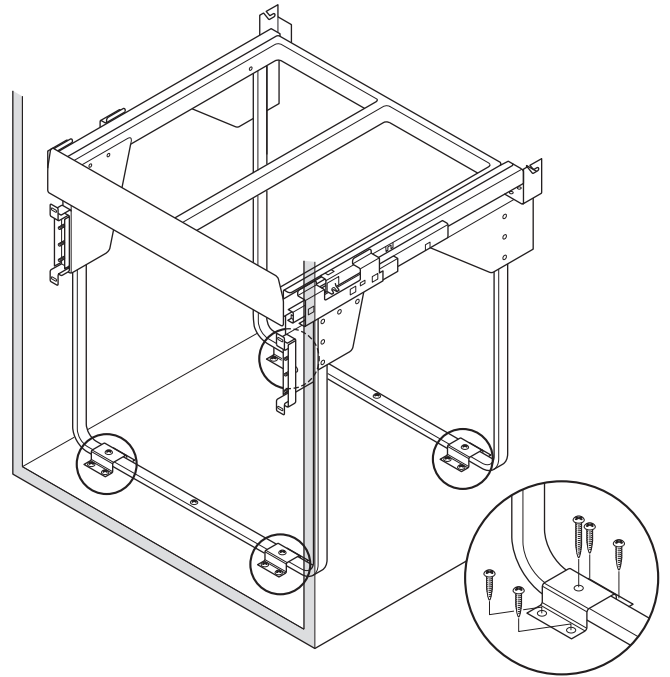
**2** Measure 56mm from the cabinet front face and position the frame allowing for any obstruction from above or the sides. Fit two long screws through the central holes



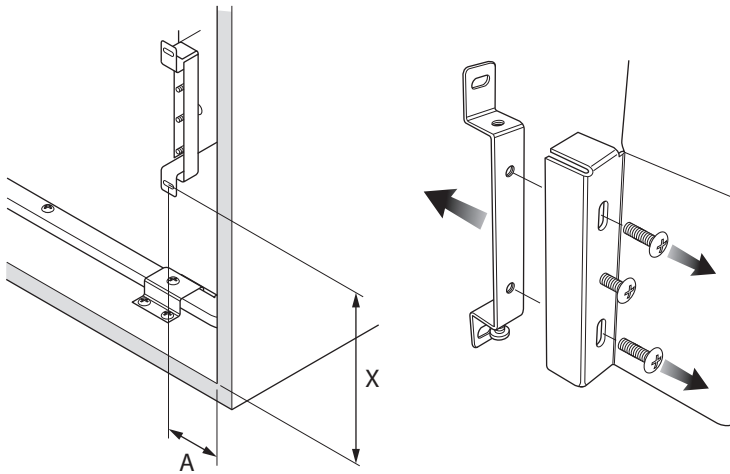
**3** Before permanent attachment to the cabinet base, fit containers and lid and test for ease of opening and bin removal. Ensure the unit is clear of door hinges and other obstructions during operation. Make adjustments if necessary.



**4** Attach the four brackets to the cabinet base using x4 short screws and x1 long screw to each bracket.

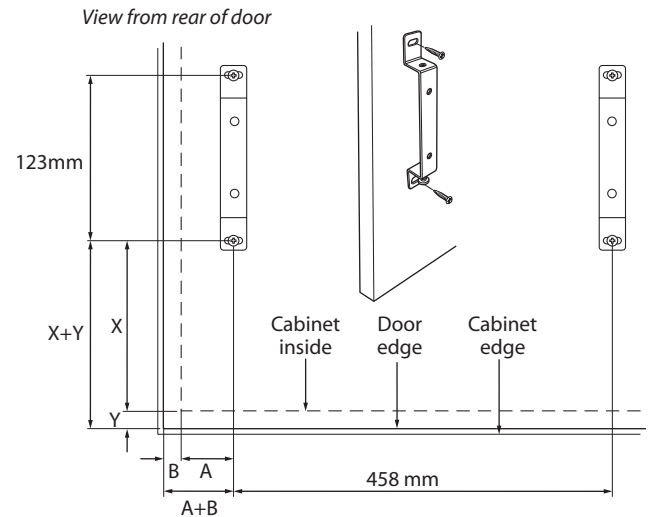


**5** If the cabinet door is to be fitted to the bin:



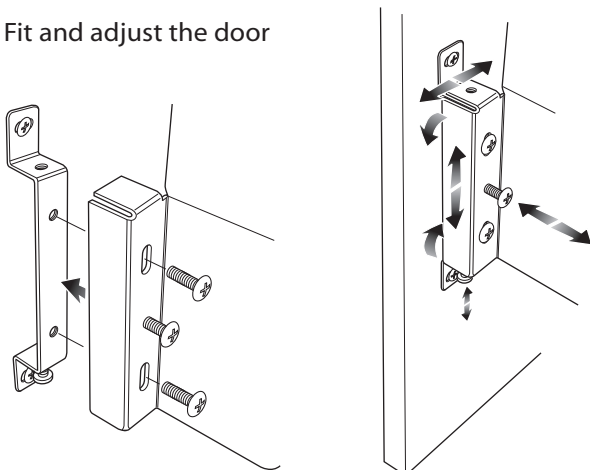
Measure from the door bracket to the cabinet base (X). Measure from the door bracket to the cabinet inside (A).

Detach the inner brackets from the door brackets by releasing the two screws.



Fit the detached brackets to the door using the vertical measurements X+Y and the horizontal measurements A+B to locate. *Note: The door may not be flush with the cabinet edges.*

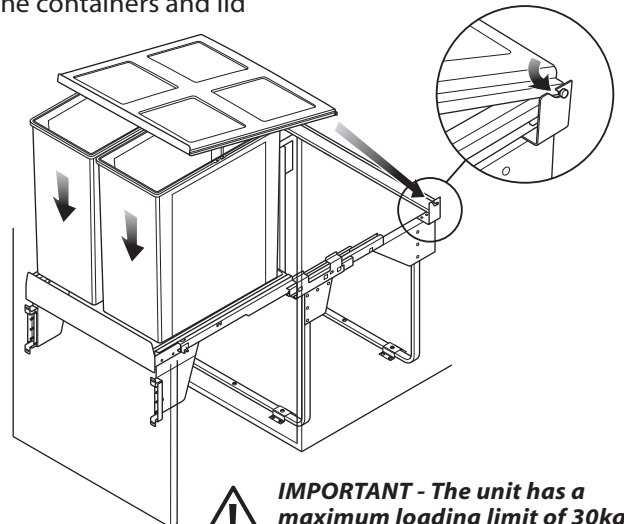
**6** Fit and adjust the door



Reattach the inner brackets to the door brackets

Use the screws to align door to cabinet.

**7** Fit the containers and lid



**IMPORTANT - The unit has a maximum loading limit of 30kg including door.**