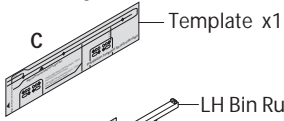


IP2BIN63

Fitting Instructions

IMPORTANT – This unit has a maximum loading limit of 30kg including door.
Bin to suit a 600mm wide cabinet using 18mm thick carcass material.
All fixings supplied must be used for installation.

- Parts**
- A 3.5 x 16mm Screw x30
 - B M6 x 10mm Screw x4

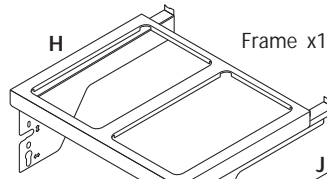


D LH Bin Runner x1

E RH Bin Runner x1

F LH Lid Runner x1

G RH Lid Runner x1

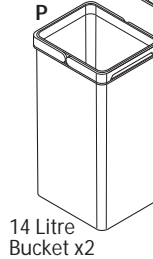
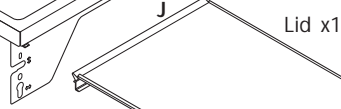


K LH Door Bracket x1

L RH Door Bracket x1

M LH Door Bracket Cover x1

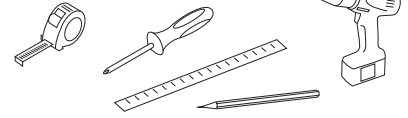
N RH Door Bracket Cover x1



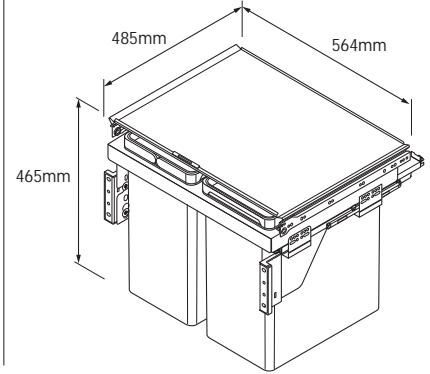
Q 28 Litre Bucket x1

! Please ensure that all the above fittings are present before installation begins.

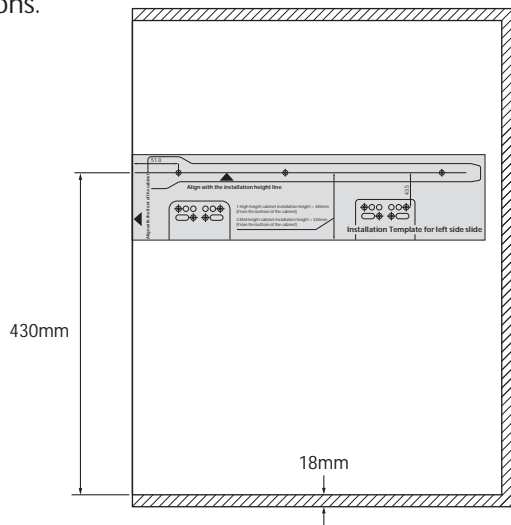
Tools required



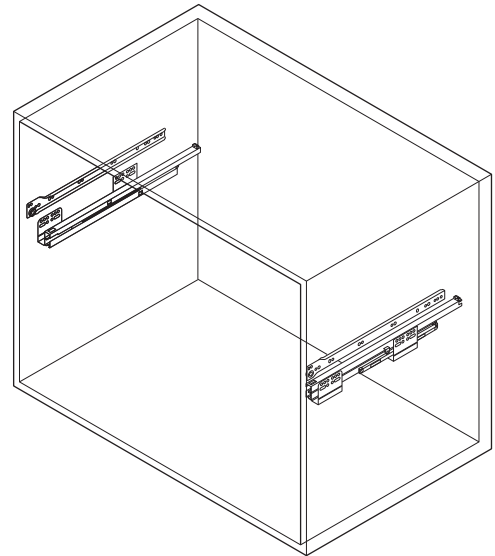
Dimensions - maximum



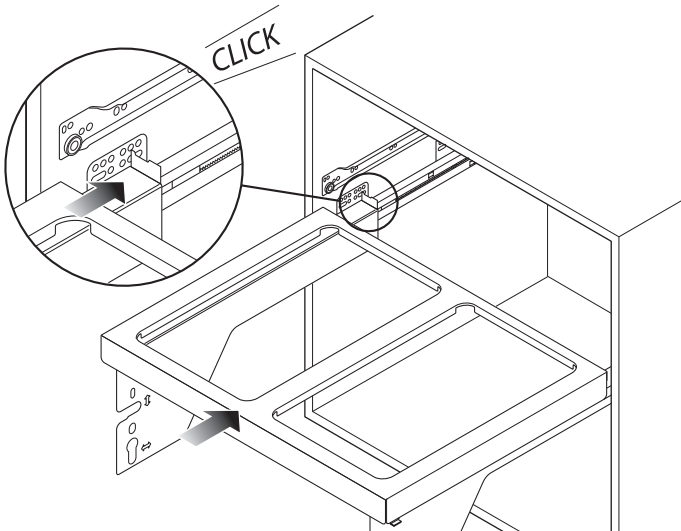
- 1** Mark a line 430mm up from the internal cabinet base. Position the template on this line and mark screw positions.



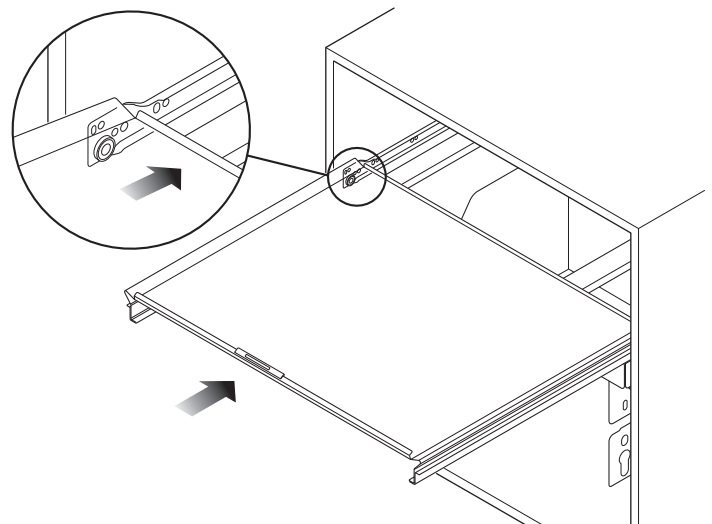
- 2** Attach bin and lid runners in the positions marked.



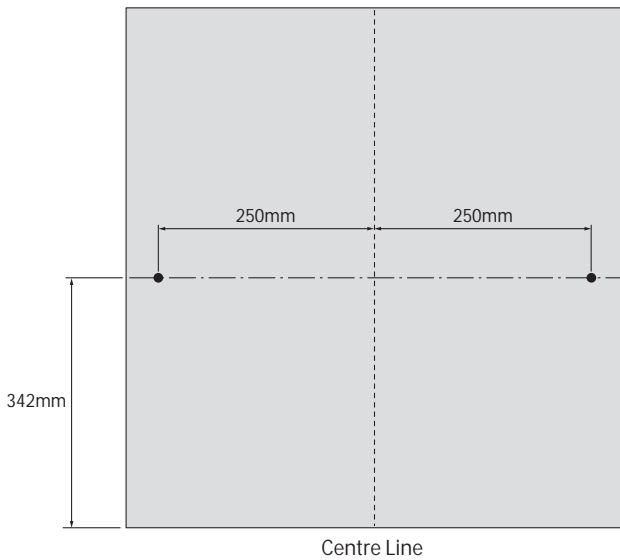
- 3** Slide frame onto runners and click into place.



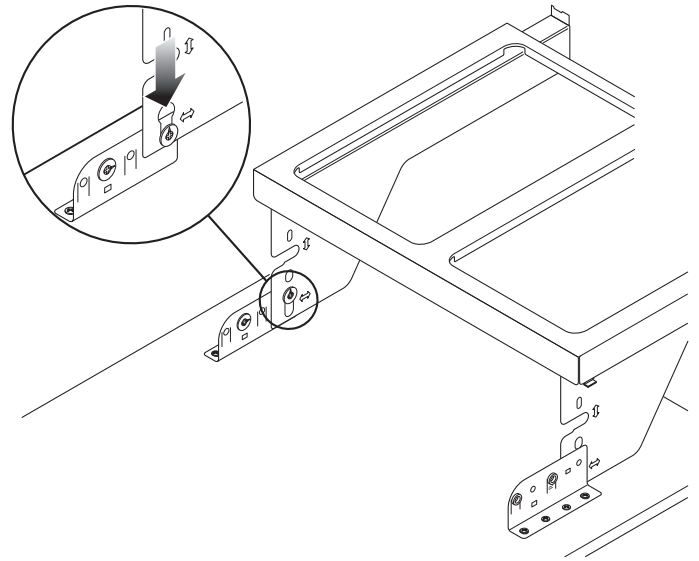
- 4** Slide lid onto lid runners.



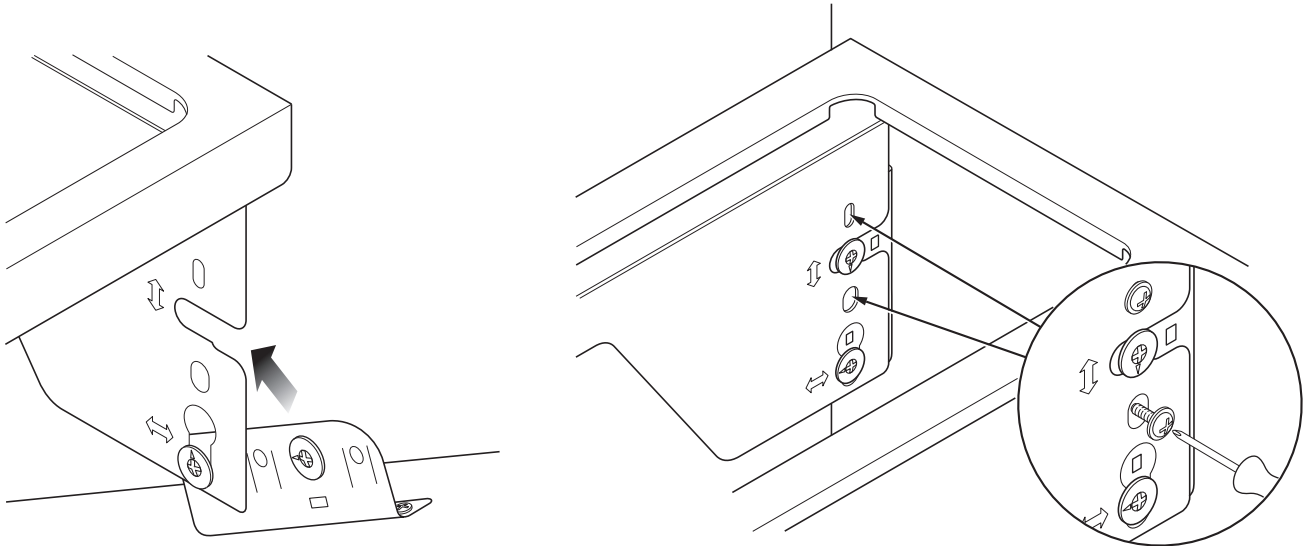
- 5** Measure up screw positions on the back of the door, then attach the door brackets using the top holes.



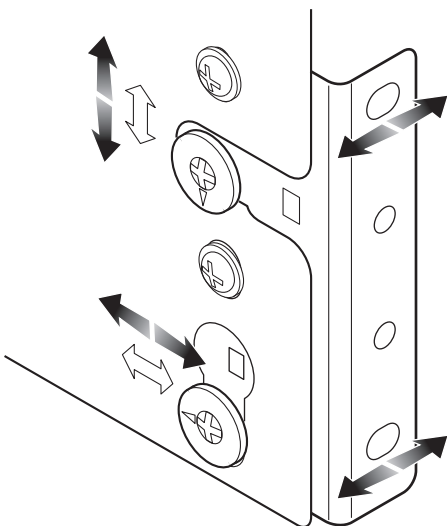
- 6** Holding the door horizontally, slide the lower lugs through the large holes on the frame and lower the door down into the grooves.



- 7** Fold the door up to its vertical position, engaging the upper lugs with the slots on the frame. Secure this in place with the M6 x 10mm screws.



- 8** Use the adjustment screws to align the door.



- 9** Insert the buckets and attach the cover caps.

