

# IP2BIN53

## Fitting Instructions

**IMPORTANT** – This unit has a maximum loading limit of 30kg including door.  
Bin to suit a 500mm wide cabinet using 18mm thick carcass material.  
All fixings supplied must be used for installation.

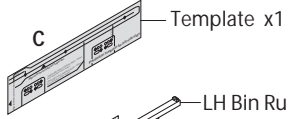
**Parts**



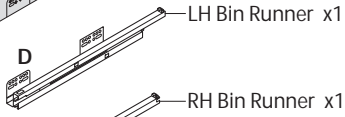
**A** 3.5 x 16mm Screw x30



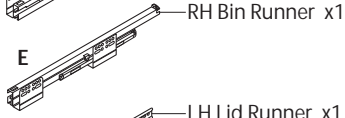
**B** M6 x 10mm Screw x4



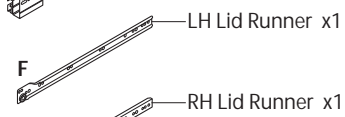
**C** Template x1



**D** LH Bin Runner x1



**E** RH Bin Runner x1



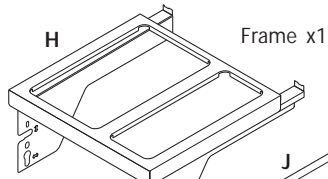
**F** LH Lid Runner x1



**G** RH Lid Runner x1



Please ensure that all the above fittings are present before installation begins.



**H** Frame x1



**K** LH Door Bracket x1



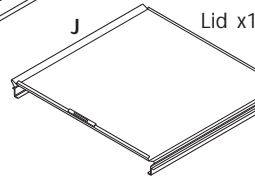
**L** RH Door Bracket x1



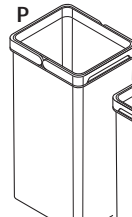
**M** LH Door Bracket Cover x1



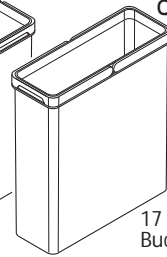
**N** RH Door Bracket Cover x1



**J** Lid x1

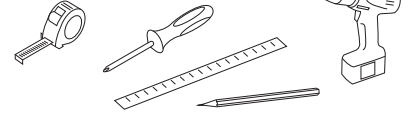


14 Litre Bucket x2

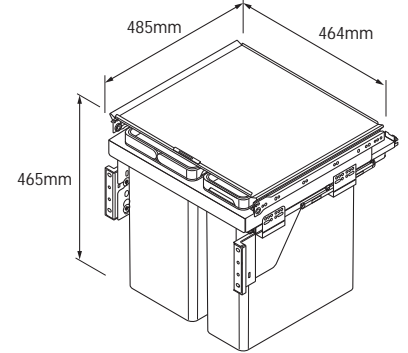


17 Litre Bucket x1

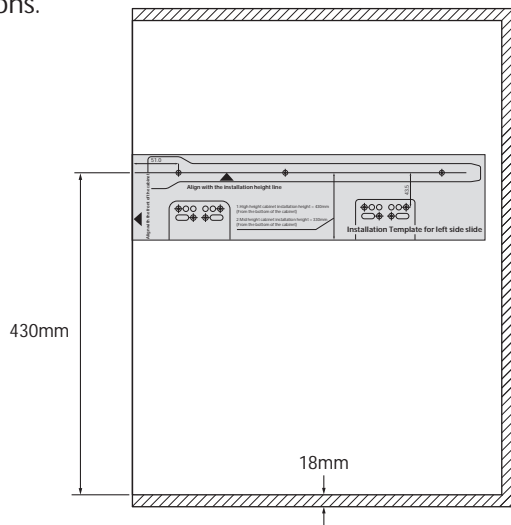
## Tools required



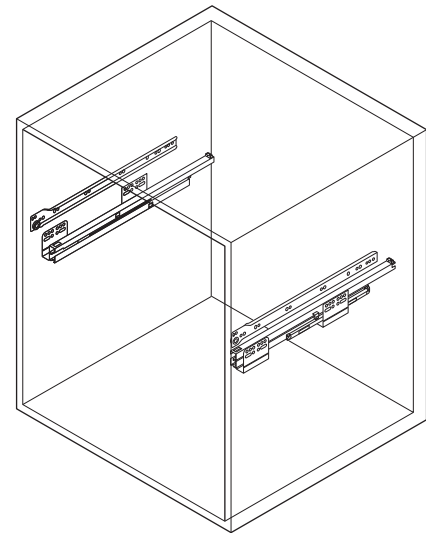
## Dimensions - maximum



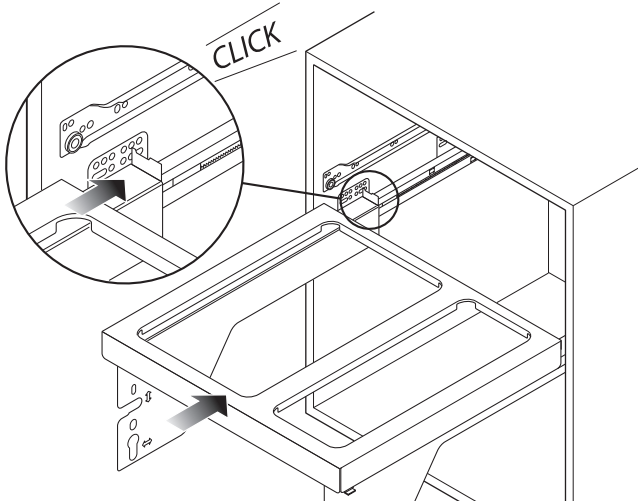
- 1** Mark a line 430mm up from the internal cabinet base. Position the template on this line and mark screw positions.



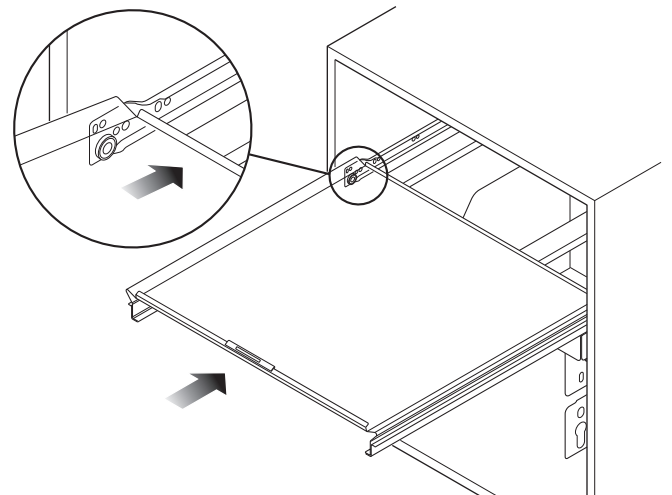
- 2** Attach bin and lid runners in the positions marked.



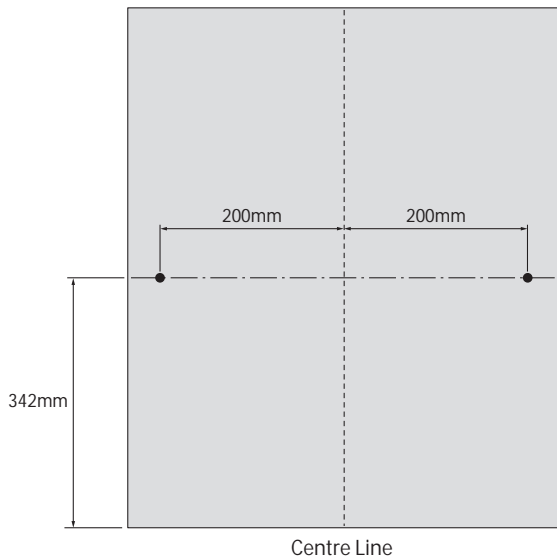
- 3** Slide frame onto runners and click into place.



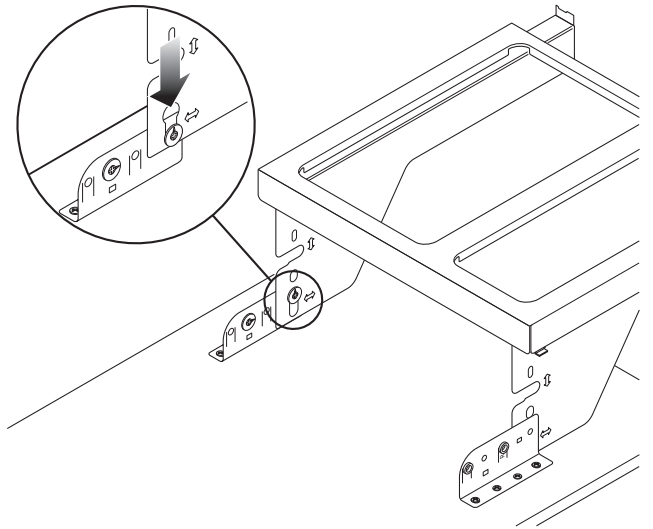
- 4** Slide lid onto lid runners.



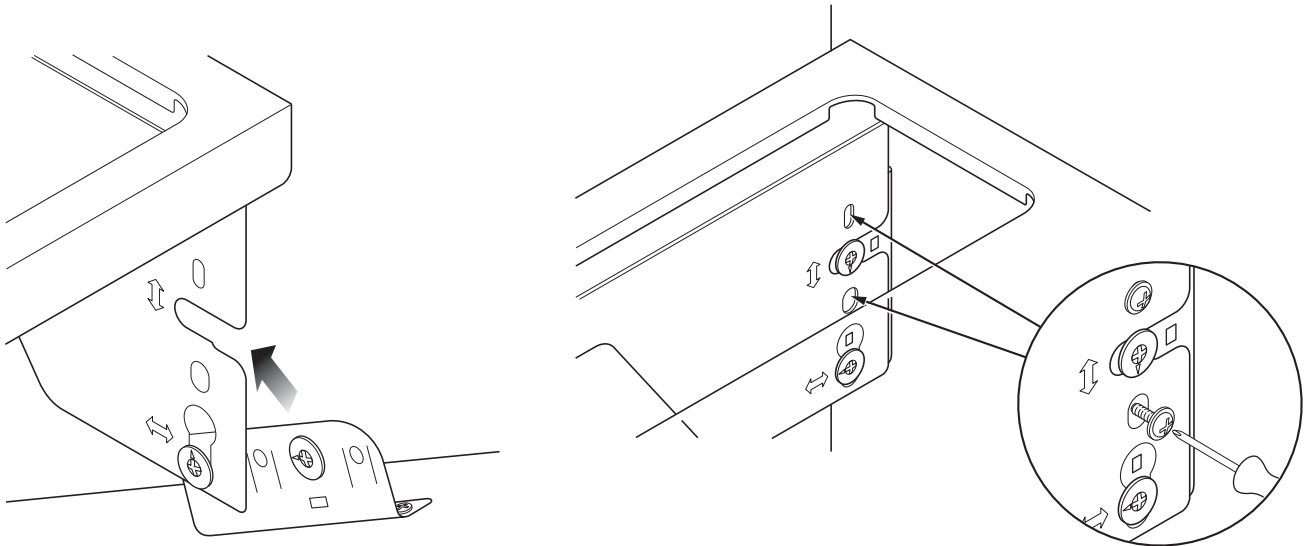
- 5** Measure up screw positions on the back of the door, then attach the door brackets using the top holes.



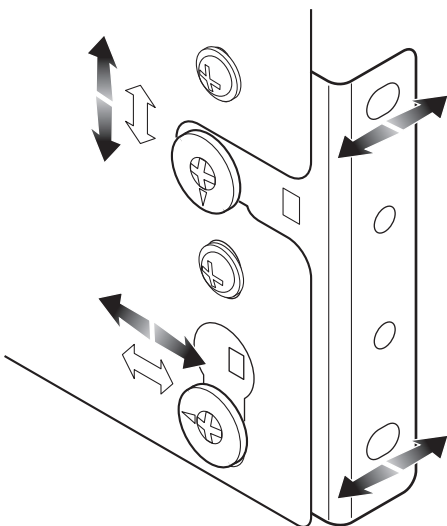
- 6** Holding the door horizontally, slide the lower lugs through the large holes on the frame and lower the door down into the grooves.



- 7** Fold the door up to its vertical position, engaging the upper lugs with the slots on the frame. Secure this in place with the M6 x 10mm screws.



- 8** Use the adjustment screws to align the door.



- 9** Insert the buckets and attach the cover caps.

