

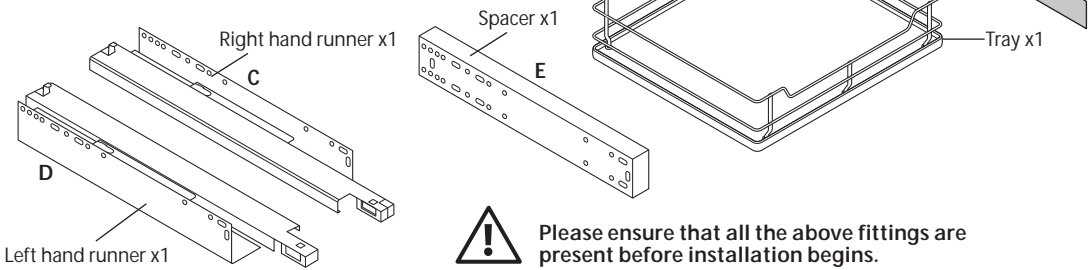
# INDIVIDUAL PULL-OUT PLUS - 300/400/450/500/600mm (IP2IP300/400/450/500/600)

Assembly and fitting instructions

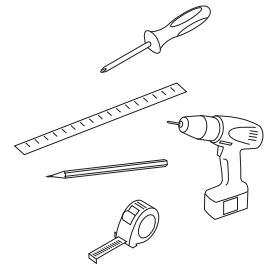


**!** IMPORTANT - The unit has a maximum loading limit of 25kg. All fixings supplied must be used for installation.

- Parts**
- A** x5 3.5 x 40mm countersunk screw
  - B** x5 3.5 x 16mm countersunk screw

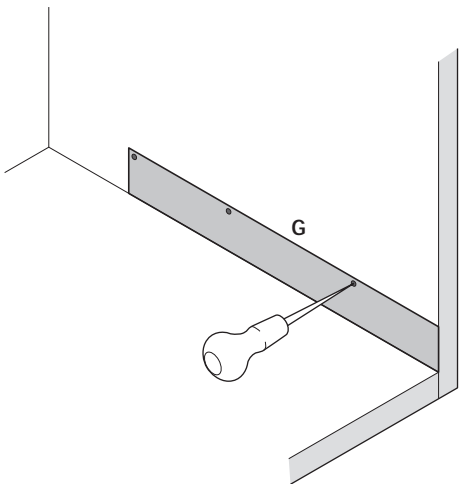


## Tools required

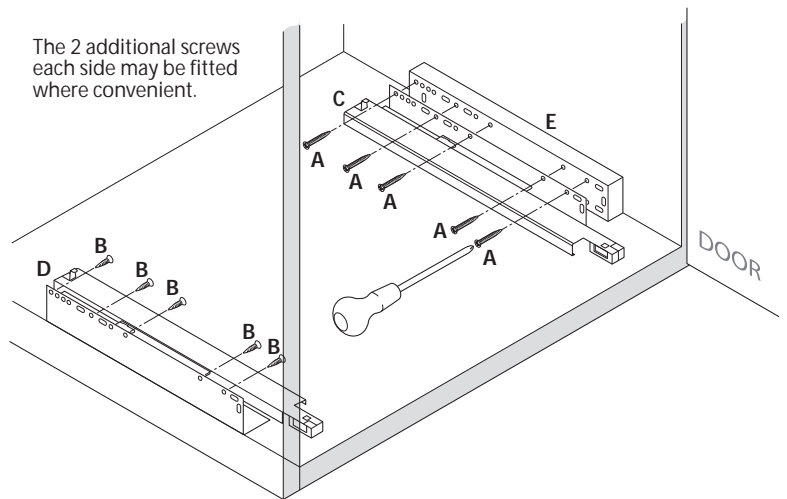


**!** Please ensure that all the above fittings are present before installation begins.

**1** Use template to mark screw positions for left and right hand runners.

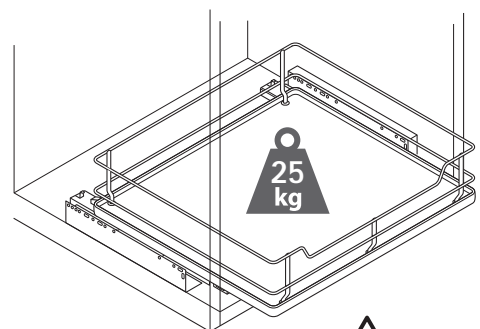
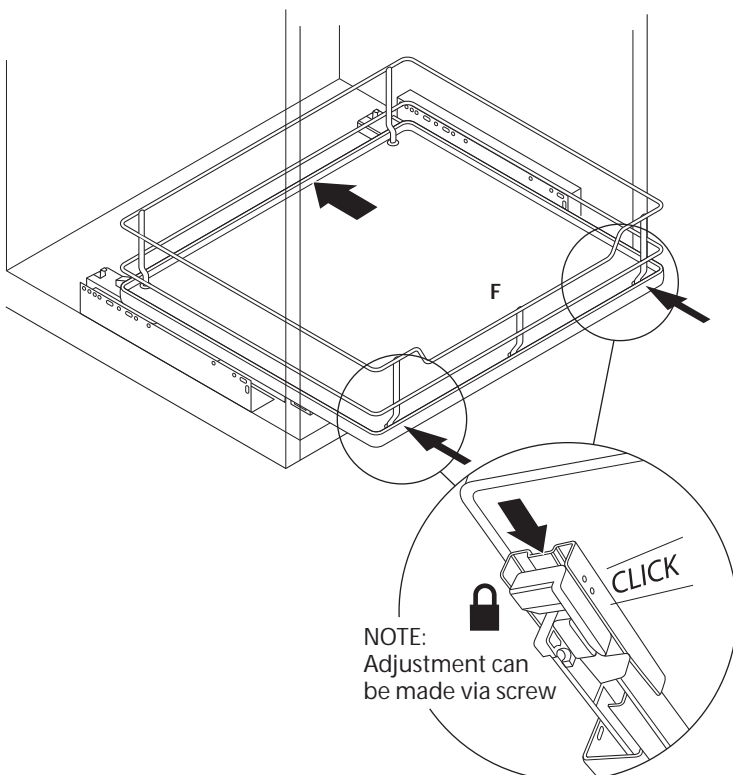


**2** Secure runners to cabinet using 5 screws each side. On door hinge side, also use spacer provided, using longer fixing screws **A**.



The 2 additional screws each side may be fitted where convenient.

**3** Slide the tray along the runners until it locates on the rear stops and locks on the front clips.



**!** IMPORTANT - The unit has a maximum loading limit of 25kg.