

INDIVIDUAL PULL-OUT BASKET

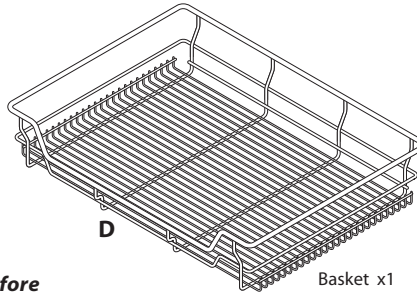
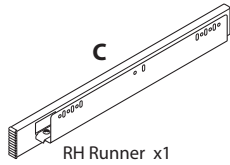
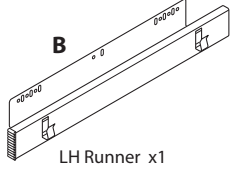
300/400/450/500/600/800/900/1000mm

Assembly and fitting instructions

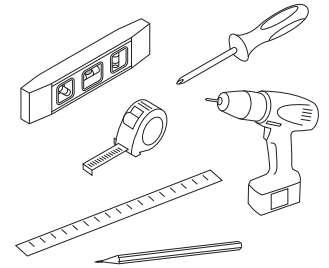
! **IMPORTANT - The unit has a maximum loading limit of 20-25kg. Load should be evenly distributed across the basket. All fixings supplied must be used for installation.**

Parts

A x8 4 x 16mm screw

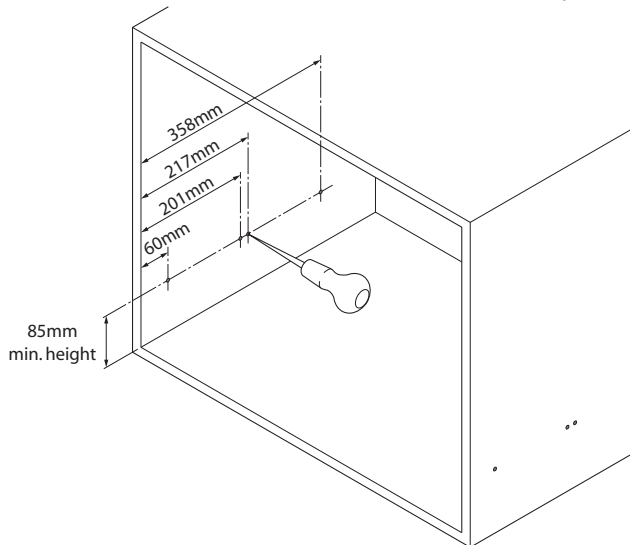


Tools required

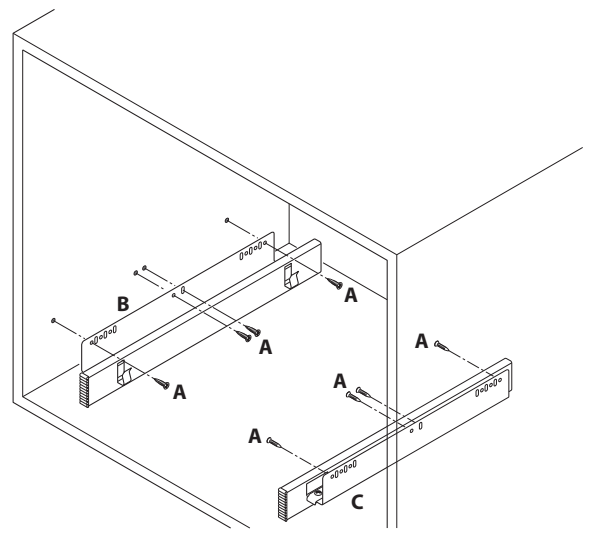


! **Please ensure that all the fittings are present before installation begins.**

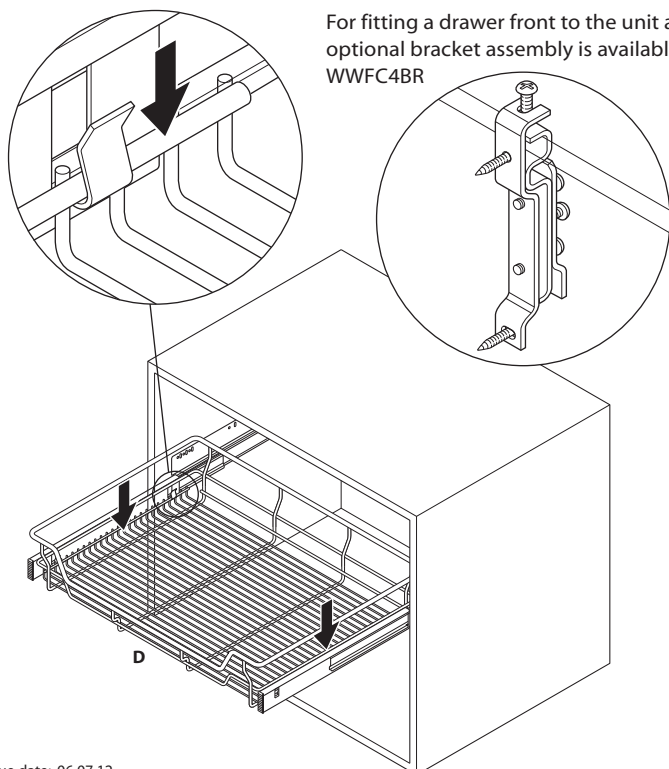
1 Measure and mark the LH & RH runner screw positions.



2 Fit the LH & RH runners using screws (A).



3 Place the basket on the 4 runner hooks and push downwards to secure.



4 If horizontal adjustment is needed use the four screws located on the runners.

