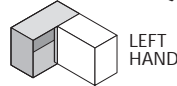


# 1/2 CAROUSEL PLUS - 900/1000mm LH\* (IP2CC290/10)

## Assembly and fitting instructions

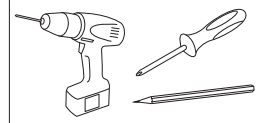
\* These instructions show LH fitting, however product is universal.



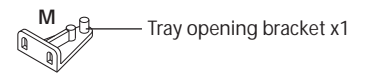
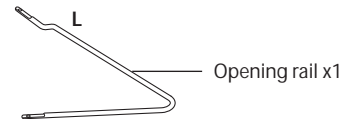
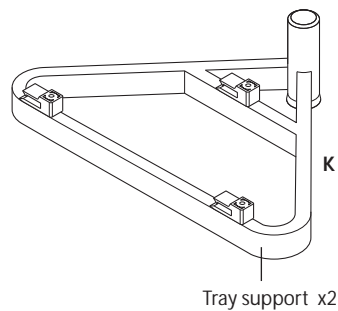
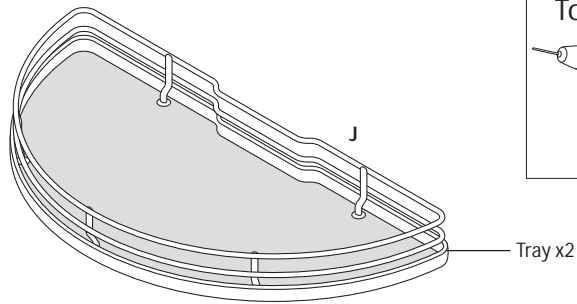
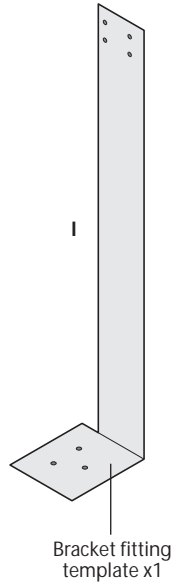
**!** **IMPORTANT - The unit has a maximum loading limit of 30kg. Load should be evenly distributed across both trays with maximum load capacity for each tray not exceeding 15kg. All fixings supplied must be used for installation.**

- Parts**
- A** x9 3.5 x 16mm countersunk screw
  - B** x2 M5 x 12mm pan head screw

### Tools required

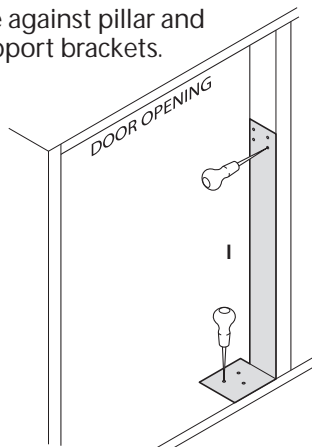


- C** Bung x1
- D** Top bracket x1
- E** Support pillar x1
- F** Bush x3
- G** Rod x3
- H** Bottom bracket x1

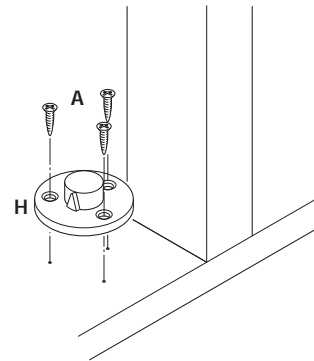


**!** Please ensure that all the above fittings are present before installation begins.

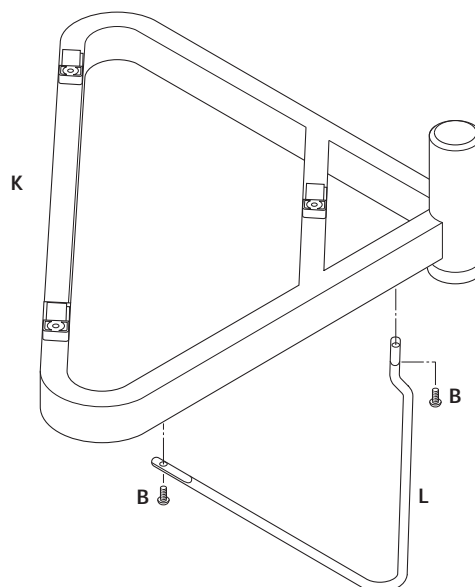
- 1** Place paper template against pillar and mark positions of support brackets.



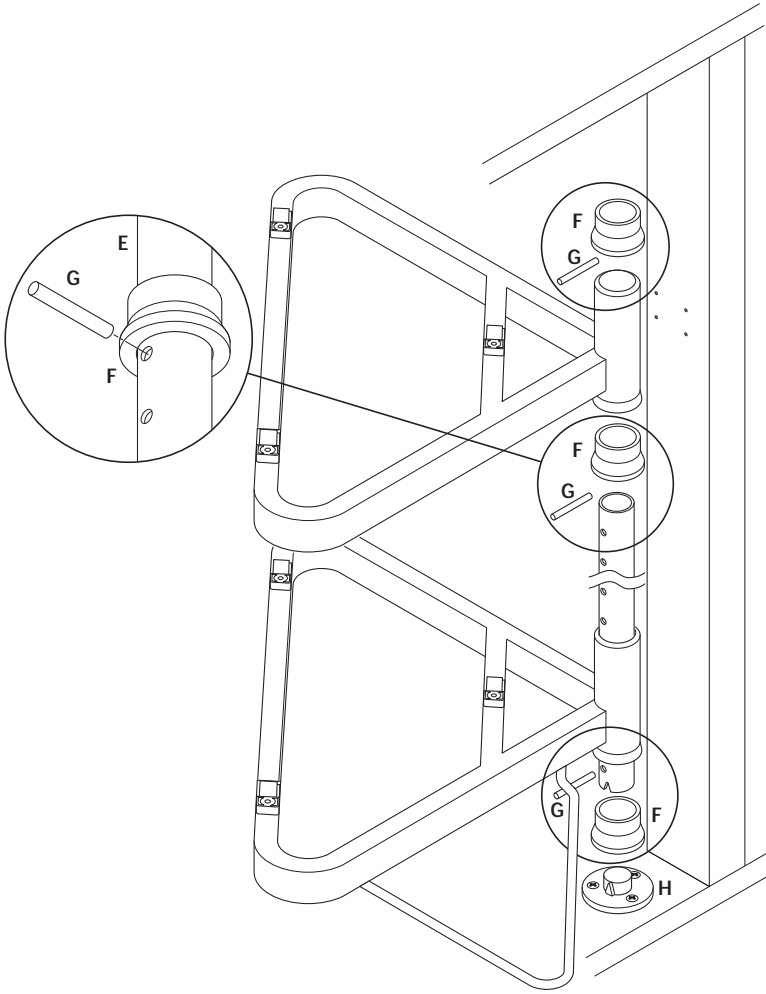
- 2** Secure bracket to cabinet base using 3 screws.



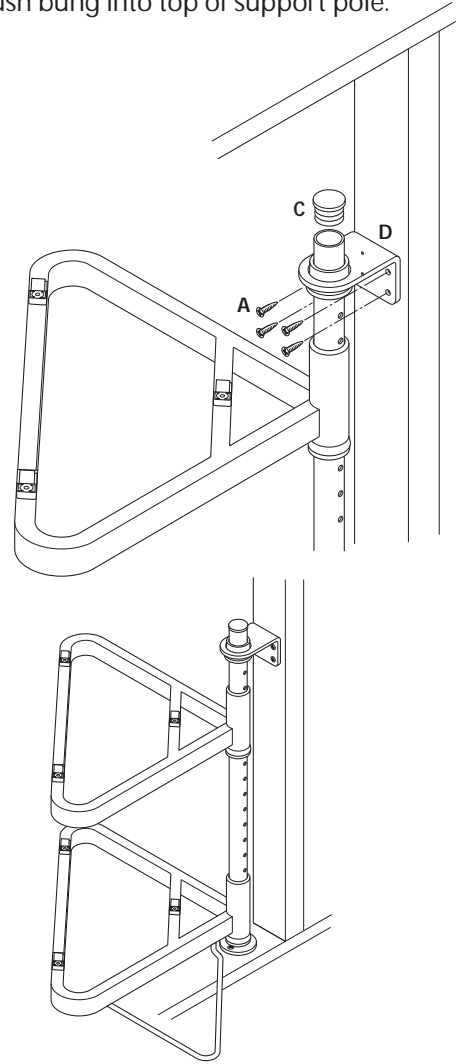
- 3** Secure the opening rail beneath one of the tray supports using 2 screws.



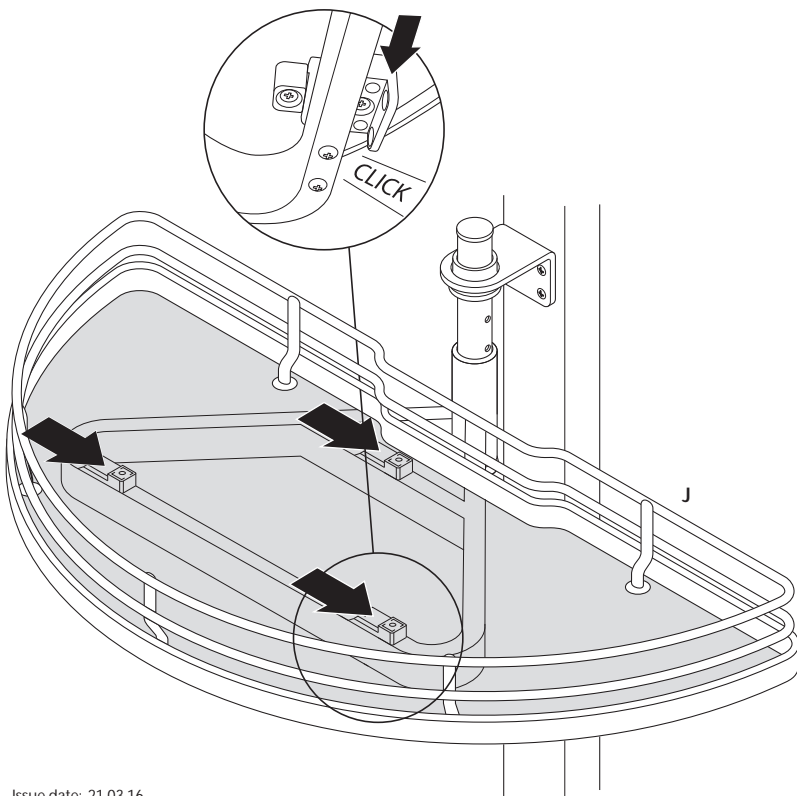
- 4** Assemble the components onto the support pole ensuring a rod is inserted below each bush at the appropriate height.



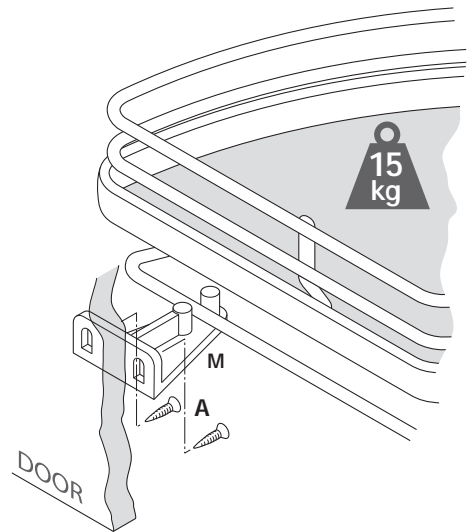
- 5** Fit the top bracket to the pillar. Push bung into top of support pole.



- 6** Locate the 3 clips below the trays. Place the trays onto the tray supports and slide horizontally until the clips locate and lock in 3 positions.



- 7** Position the tray opening bracket beneath the opening rail and screw to the door - recommended that this be fitted on the centre line of the door.



**!** **IMPORTANT** - The unit has a maximum loading limit of 30kg. Load should be evenly distributed across both trays with maximum load capacity for each tray not exceeding 15kg.