

# CORNER ORGANISER PLUS - 900/1000mm RH (IP2CO9R)

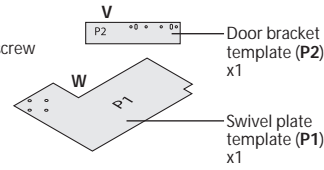
Assembly and fitting instructions



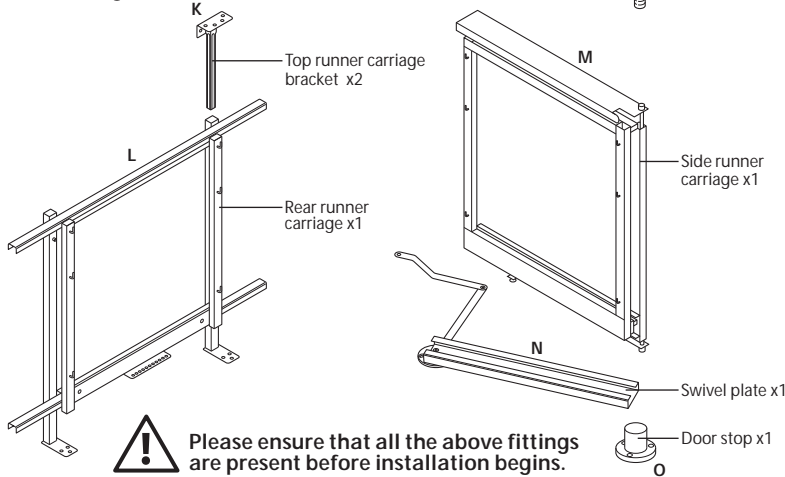
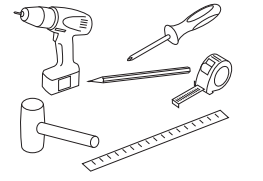
**! IMPORTANT - The unit has a maximum loading limit of 30kg. Load should be evenly distributed across all trays with maximum load capacity for each tray not exceeding 5/10kg. All fixings supplied must be used for installation. Illustrations show 900/1000mm right handed units.**

## Parts

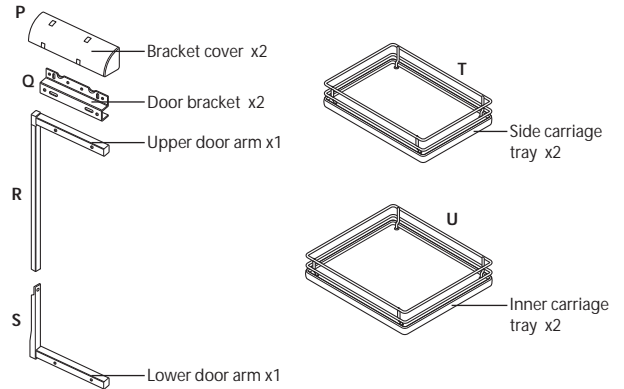
- |          |    |                                    |          |    |                                       |          |     |                                |
|----------|----|------------------------------------|----------|----|---------------------------------------|----------|-----|--------------------------------|
| <b>A</b> | x1 | M6 x 10mm screw<br>(pre-installed) | <b>E</b> | x1 | M5 washer                             | <b>H</b> | x44 | M4 x 16mm<br>countersunk screw |
| <b>B</b> | x2 | M5 x 6mm screw                     | <b>F</b> | x1 | M5 nut                                | <b>I</b> | x1  | Allen key                      |
| <b>C</b> | x4 | M5 x 15mm screw                    | <b>G</b> | x6 | M5mm grub screw<br>(x2 pre-installed) | <b>J</b> | x1  | M5 x 16mm screw                |
| <b>D</b> | x2 | M5 x 8mm screw                     |          |    |                                       |          |     |                                |



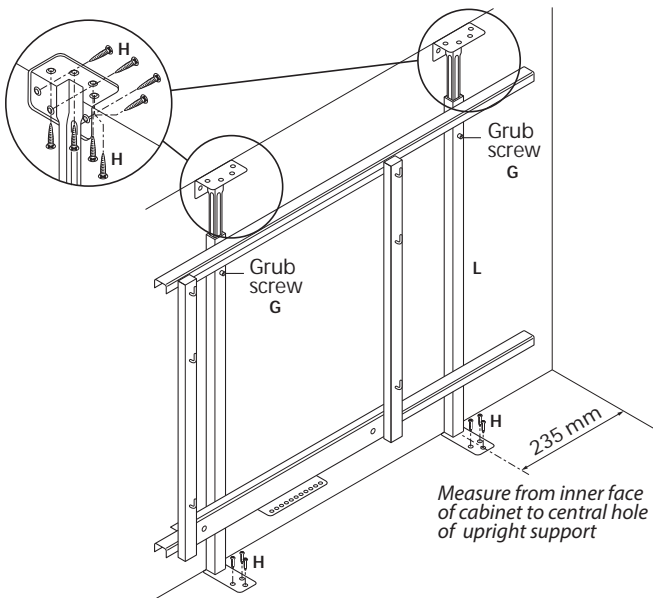
## Tools required



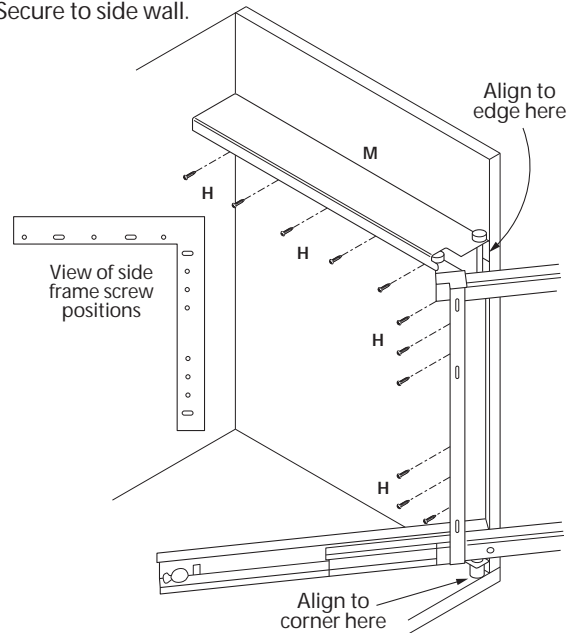
**! Please ensure that all the above fittings are present before installation begins.**



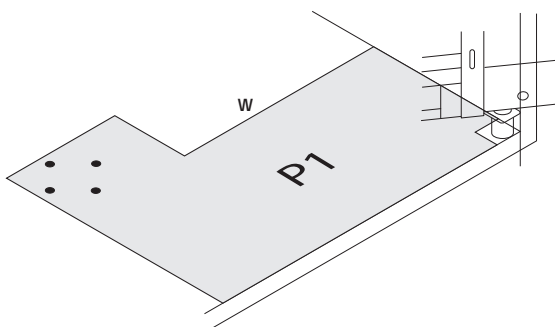
**1** Secure bottom brackets of rear runner carriage to cabinet base. Adjust height of supports and tighten grub screws. Secure top brackets to cabinet.



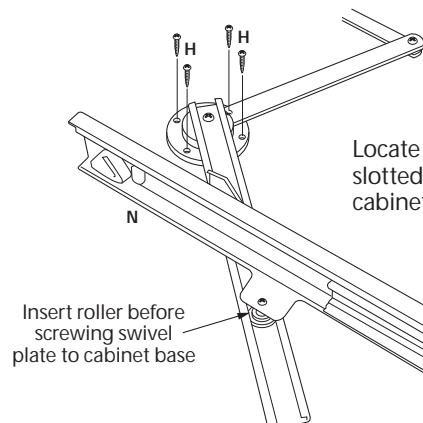
**2** Place side runner carriage frame against cabinet side and align top and bottom to cabinet front edge. Secure to side wall.



**3**

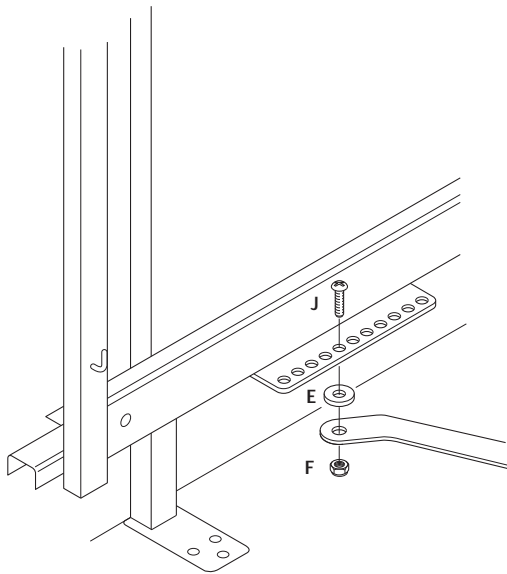


Place paper template (P1) on cabinet base and mark hole positions for swivel plate.

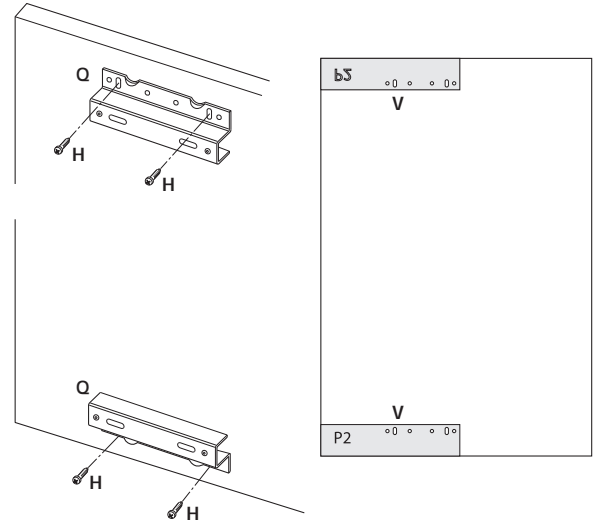


Locate side frame roller in swivel plate slotted arm and secure swivel plate to cabinet base with 4 screws.

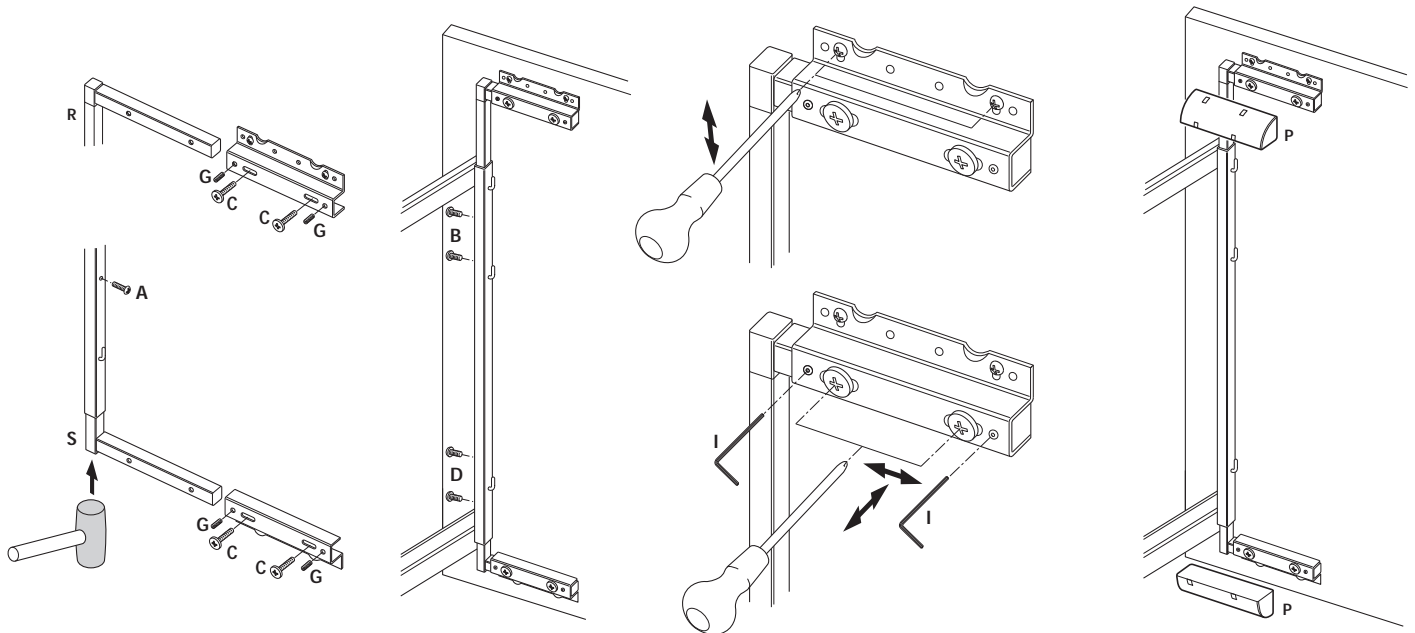
**4** Attach linkage to rear runner carriage.



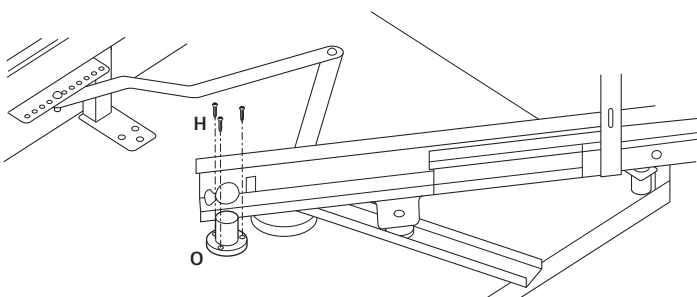
**5** Align paper template (P2) to lower inside LH corner of door and mark slotted hole positions. Reverse template and mark top slotted hole positions. Fit brackets using slotted holes.



**6** Insert 'L' shaped upper and lower door arms into side runner carriage frame tubes and secure lower door arm with two screws ensuring upper screw locates threaded hole in arm. Adjust height of upper door arm and insert both arms into door brackets, fit the remaining two screws. Make door adjustment using screws and grub screws on brackets before finally securing brackets to door with additional screws. Fit bracket covers.



**7** Fit door stop to restrict door mechanism opening



**8** Fit trays.

**!** IMPORTANT - The unit has a maximum loading limit of 30kg. Load should be evenly distributed across all trays with maximum load capacity for each tray not exceeding 5/10kg.

