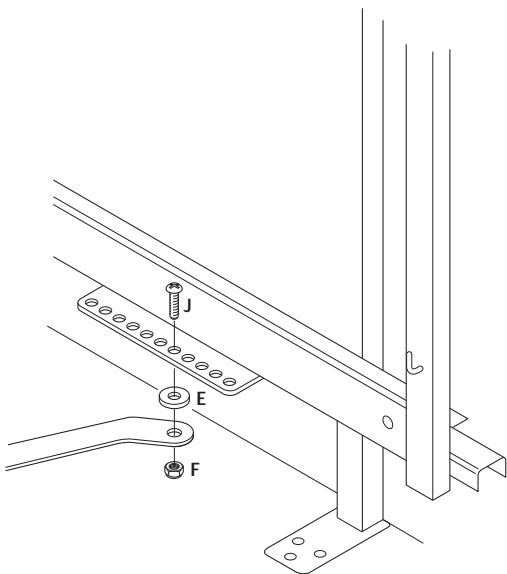
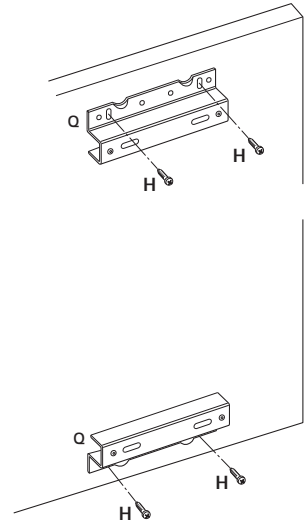
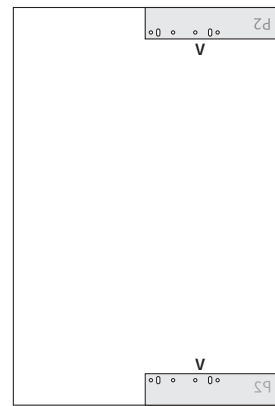


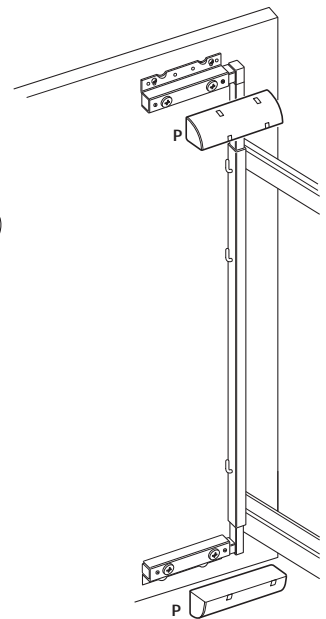
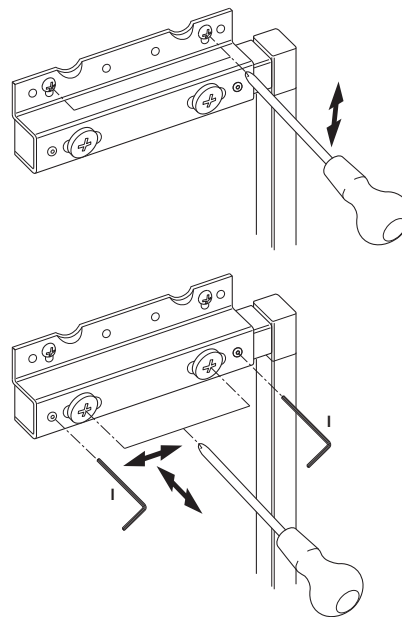
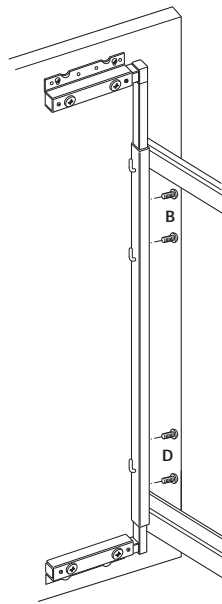
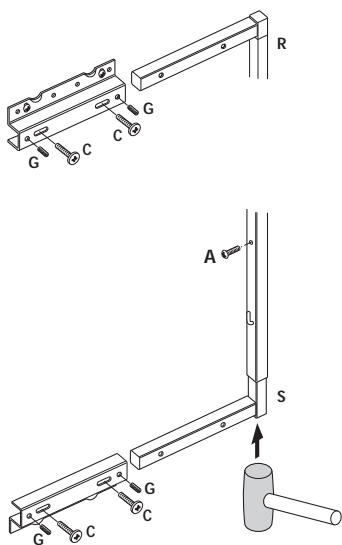
4 Attach linkage to rear runner carriage.



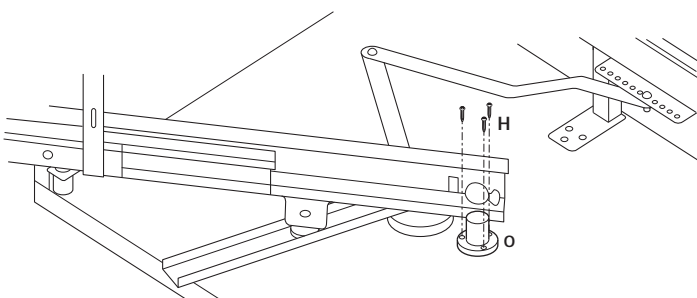
5 Align paper template (P2) to lower inside RH corner of door and mark slotted hole positions. Reverse template and mark top slotted hole positions. Fit brackets using slotted holes.



6 Insert 'L' shaped upper and lower door arms into side runner carriage frame tubes and secure lower door arm with two screws ensuring upper screw locates threaded hole in arm. Adjust height of upper door arm and insert both arms into door brackets, fit the remaining two screws. Make door adjustment using screws and grub screws on brackets before finally securing brackets to door with additional screws. Fit bracket covers.



7 Fit door stop to restrict door mechanism opening



8 Fit trays.

! IMPORTANT - The unit has a maximum loading limit of 30kg. Load should be evenly distributed across all trays with maximum load capacity for each tray not exceeding 5/10kg.

