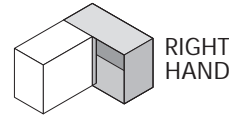


# BLIND CORNER OPTIMISER PLUS - 900 & 1000mm RH\* (IP2BCO9/10)

Assembly and fitting instructions

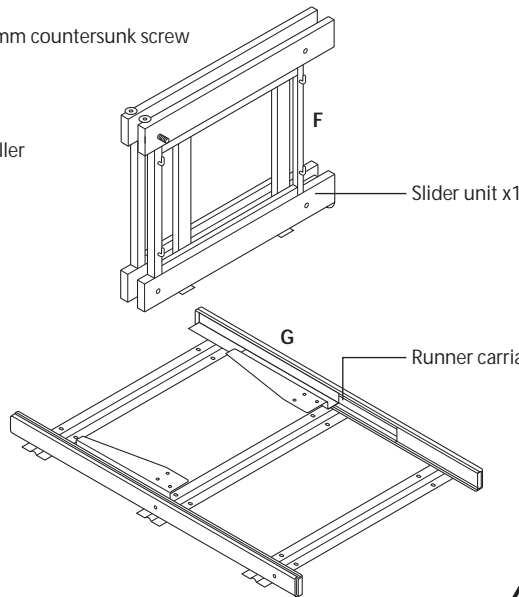
\* These instructions show RH fitting, however product is universal.



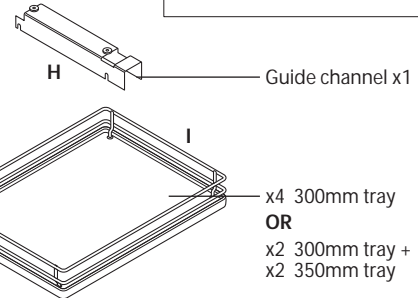
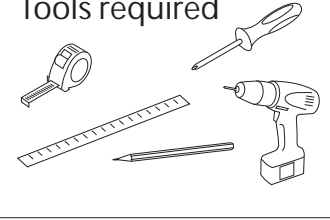
**!** **IMPORTANT** - The unit has a maximum loading limit of 40kg. Load should be evenly distributed across all trays with maximum load capacity for each tray not exceeding 10kg. All fixings supplied must be used for installation. Do not attach door until Corner Optimiser has been fully assembled and fitted. Illustrations show 900 or 1000mm right handed base units.

## Parts

- A** x12 3.5 x 16mm countersunk screw
- B** x6 M6 Nut
- C** x1 Spare roller
- D** x1 Spanner
- E** x2 Handle

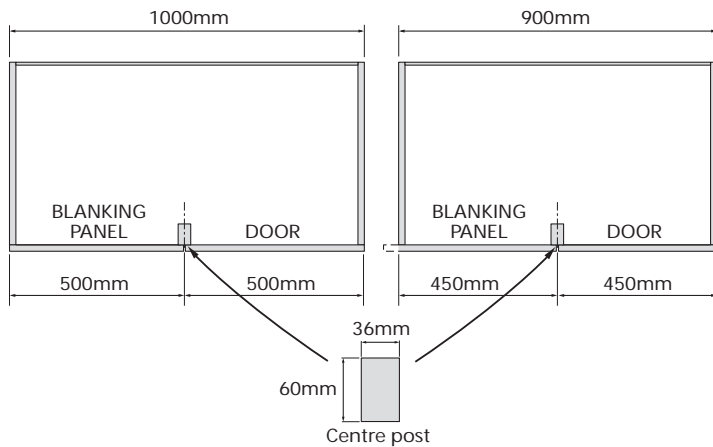


## Tools required



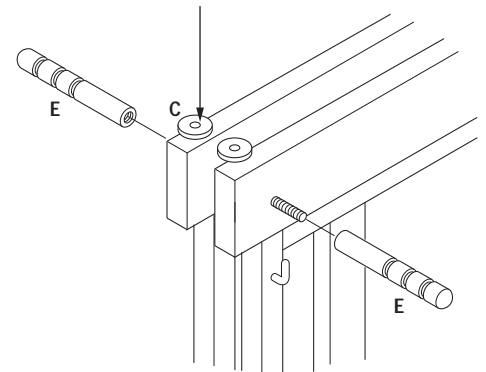
**!** Please ensure that all the above fittings are present before installation begins.

## 1 Base unit and door sizes.

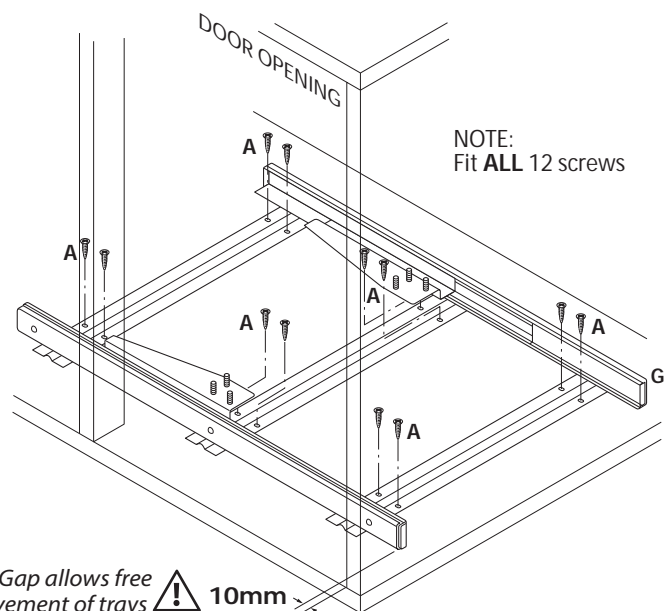
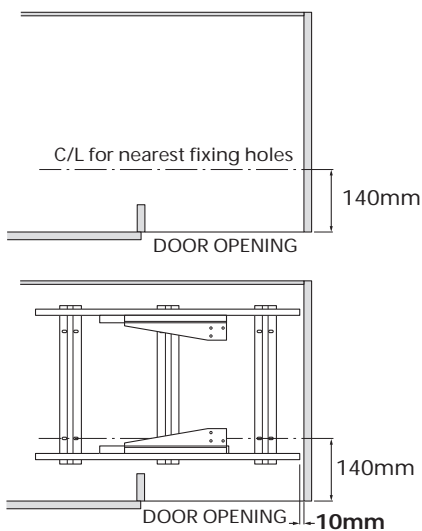


## 2 Fit 2 handles.

**NOTE:**  
Replacement roller is supplied if damage occurs during installation.

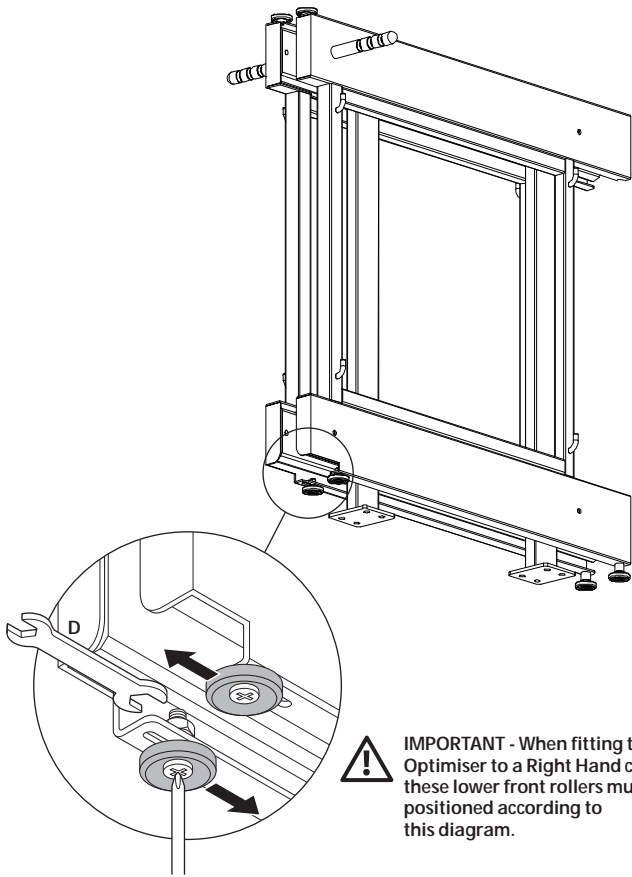


## 3 Locate and fit Optimiser runner carriage to cabinet base.



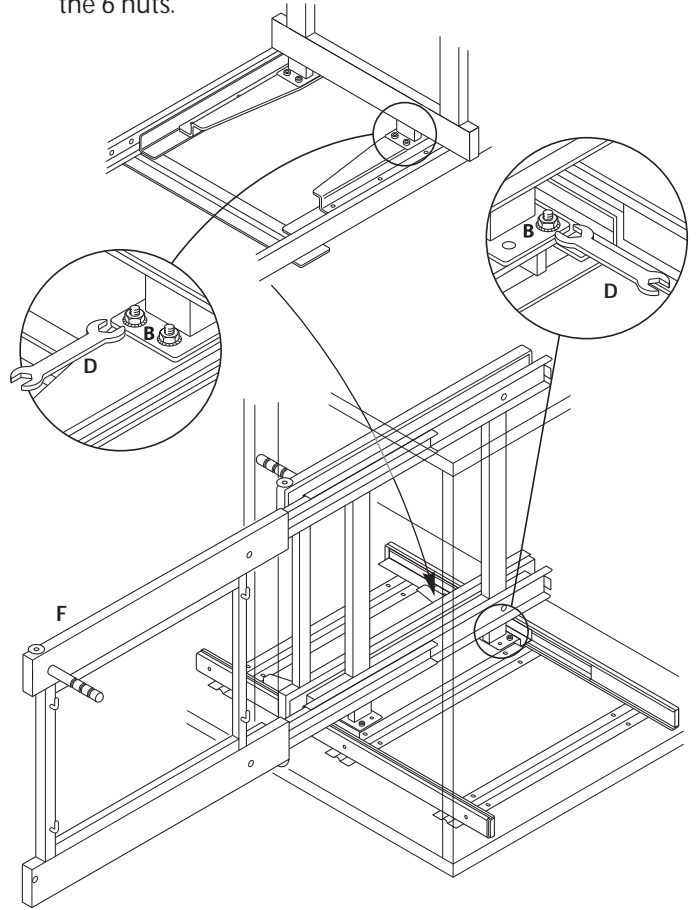
**!** **IMPORTANT** - Gap allows free forward movement of trays **10mm**

**4** Position the two lower front rollers on the slider unit.

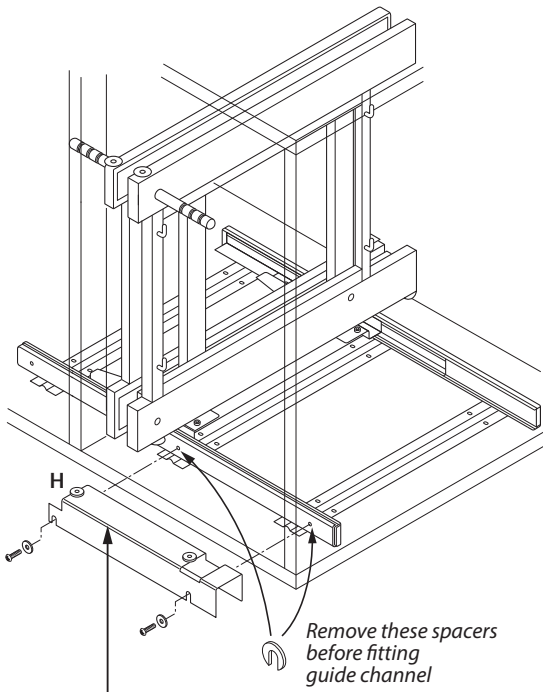


**!** **IMPORTANT** - When fitting the Optimiser to a Right Hand cabinet, these lower front rollers must be positioned according to this diagram.

**5** Lower slider unit onto runner carriage and attach the 6 nuts.

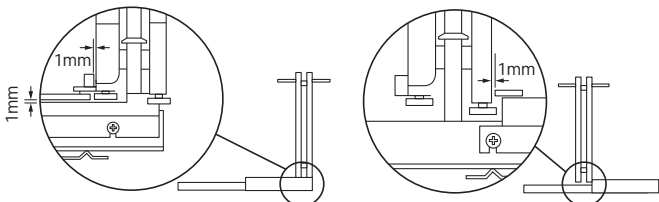


**6** Push unit to far left and fit guide channel to right/front of runner carriage. See details if fine adjustment is needed.

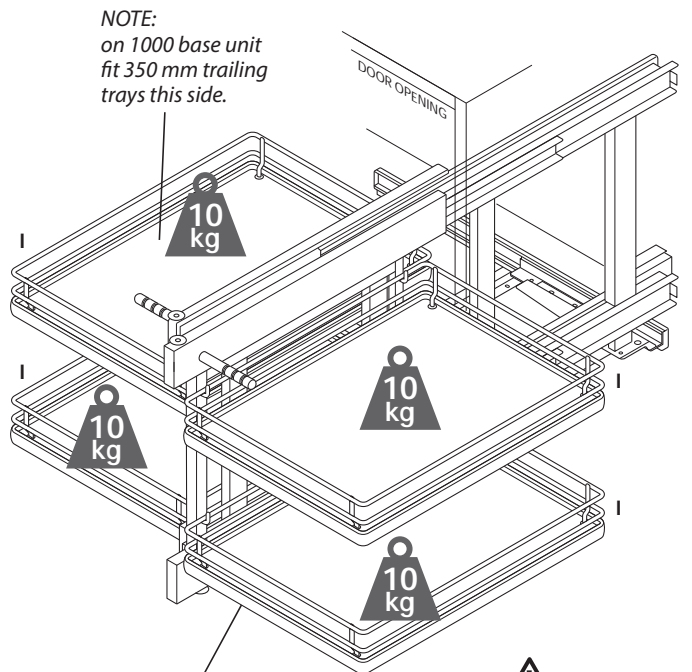


Remove these spacers before fitting guide channel

**!** **IMPORTANT:** The guide channel height must be carefully adjusted to allow unrestricted forward movement of the Optimiser and to ensure the limit stop is held by the nylon wheel.



**7** Attach trays



**NOTE:** on 1000 base unit fit 350 mm trailing trays this side.

**NOTE:** on 1000 base unit fit 300 mm leading trays this side.

**!** **IMPORTANT** - The unit has a maximum loading limit of 40kg. Load should be evenly distributed across all trays with maximum load capacity for each tray not exceeding 10kg.

Tray sizes

Base unit	Leading	Trailing
900	300	300
1000	300	350