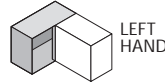


BLIND CORNER OPTIMISER PLUS - 800mm LH* (IP2BC08)

Assembly and fitting instructions

* These instructions show LH fitting, however product is universal.



! **IMPORTANT - The unit has a maximum loading limit of 40kg. Load should be evenly distributed across all trays with maximum load capacity for each tray not exceeding 10kg. All fixings supplied must be used for installation. Do not attach door until Corner Optimiser has been fully assembled and fitted. Illustrations show 800mm left handed base units.**

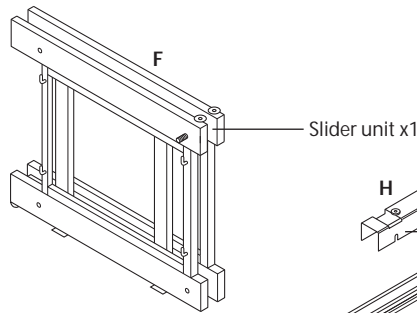
Parts A x12 3.5 x 16mm countersunk screw

B x6 M6 Nut

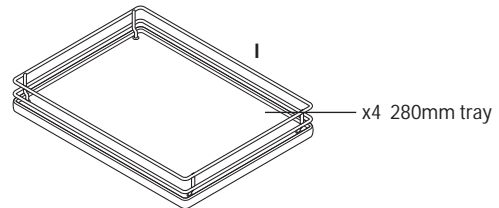
C x1 Spare roller

D x1 Spanner

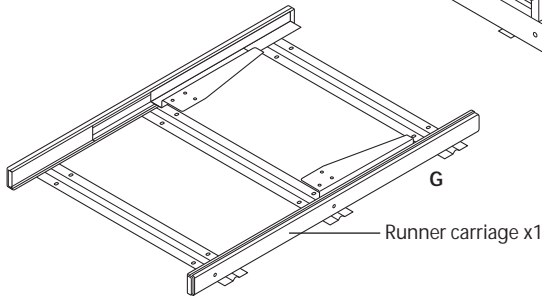
E x2 Handle



Slider unit x1
Guide channel x1

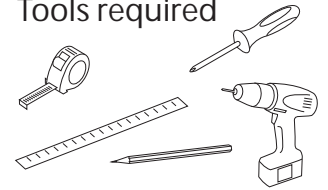


x4 280mm tray



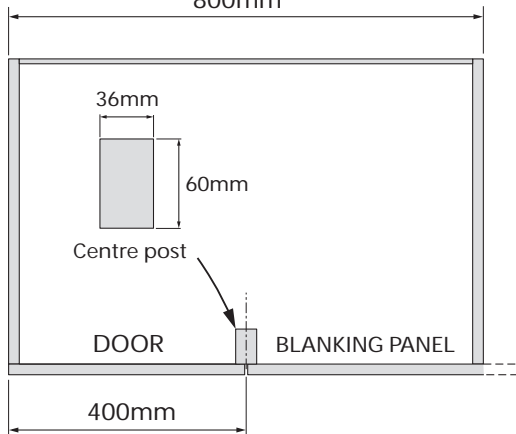
Runner carriage x1

Tools required

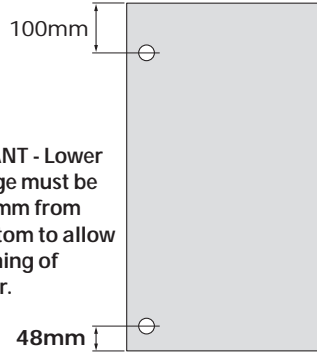


! Please ensure that all the above fittings are present before installation begins.

1 Fit 36 x 60mm centre post centrally.
Use 400mm door.
800mm

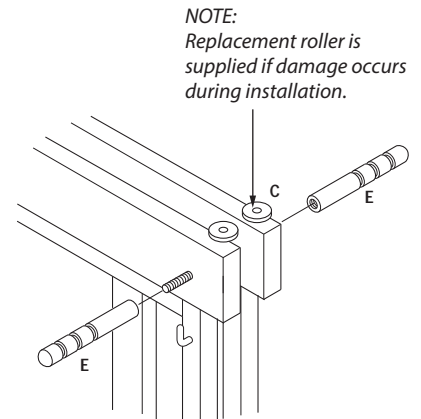


2 Drilling door



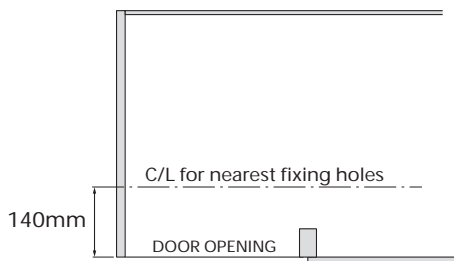
! **IMPORTANT - Lower door hinge must be fitted 48mm from door bottom to allow free opening of Optimiser.**

3 Fit 2 handles.

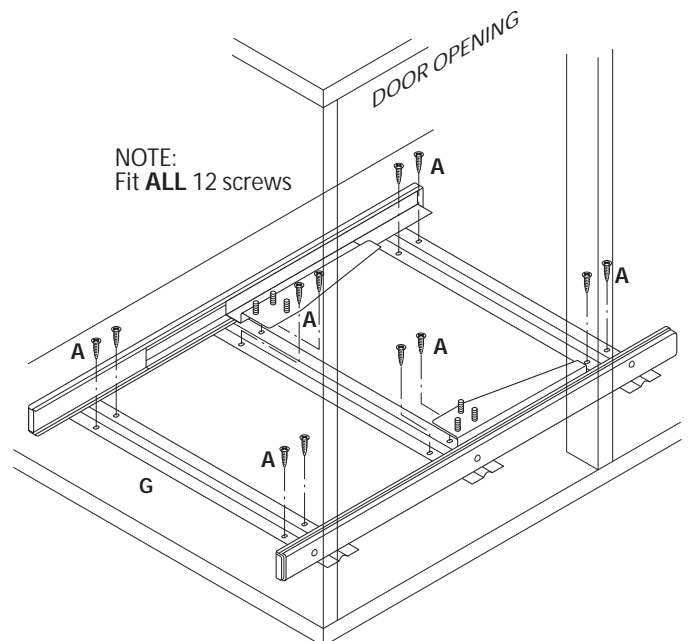
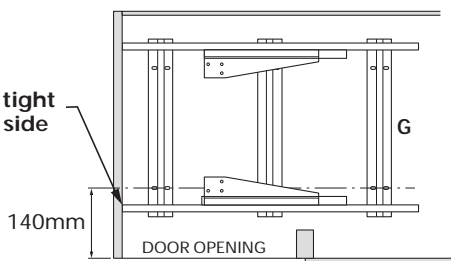


NOTE:
Replacement roller is supplied if damage occurs during installation.

4 Locate and fit Optimiser runner carriage to cabinet base.

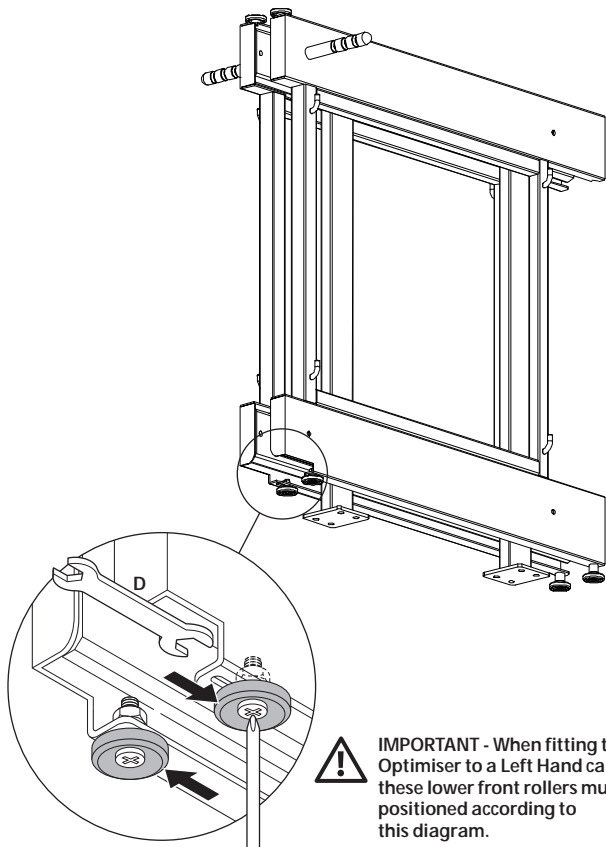


Fit carriage base tight against cabinet side



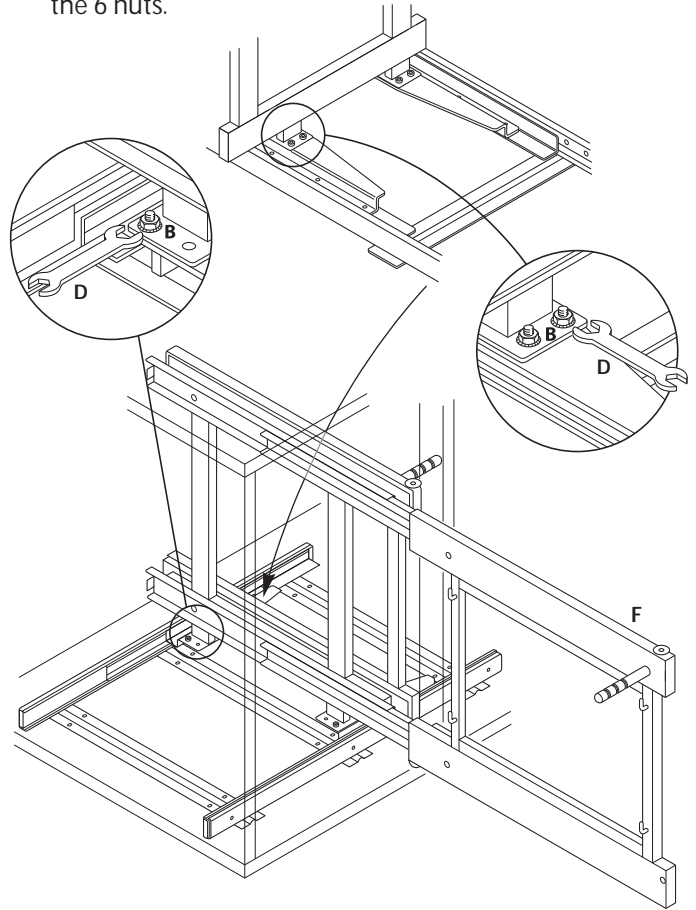
NOTE:
Fit ALL 12 screws

5 Position the two lower front rollers on the slider unit.

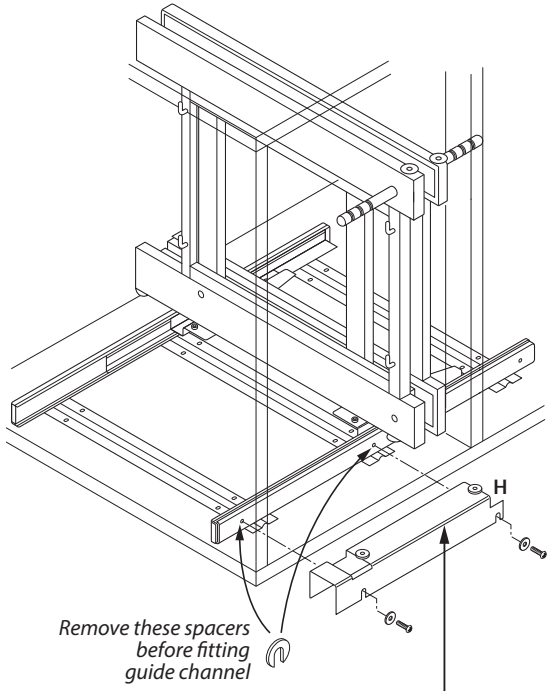


! **IMPORTANT** - When fitting the Optimiser to a Left Hand cabinet, these lower front rollers must be positioned according to this diagram.

6 Lower slider unit onto runner carriage and attach the 6 nuts.

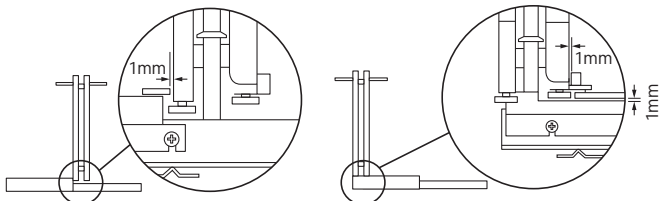


7 Push unit to far right and fit guide channel to left/front of runner carriage. See details if fine adjustment is needed.

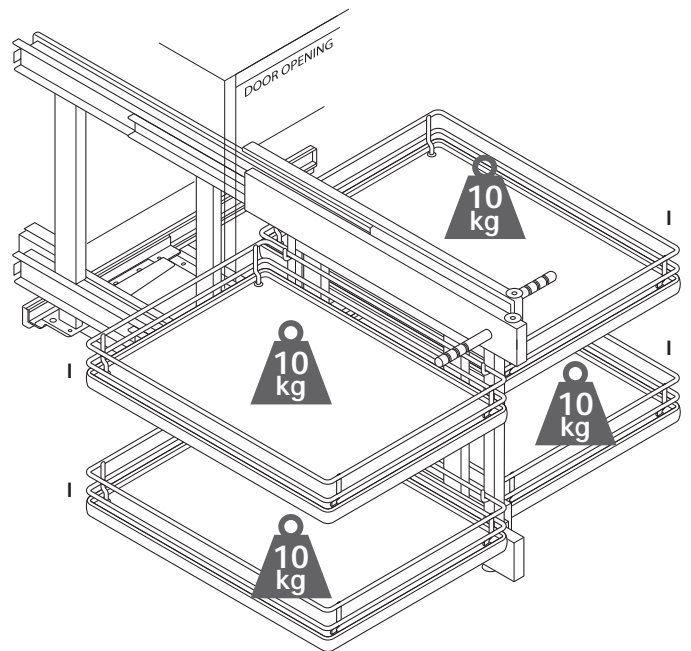


Remove these spacers before fitting guide channel

! **IMPORTANT:** The guide channel height must be carefully adjusted to allow unrestricted forward movement of the Optimiser and to ensure the limit stop is held by the nylon wheel.



8 Attach trays



IMPORTANT - The unit has a maximum loading limit of 40kg. Load should be evenly distributed across all trays with maximum load capacity for each tray not exceeding 10kg.