

# BASE PULL-OUT PLUS - 300/400mm RH (IP2B300R/IP2B400R)

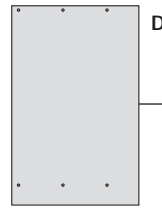
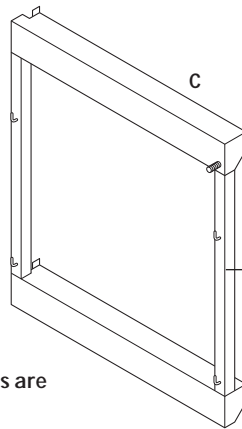
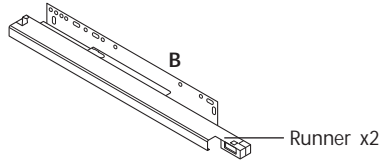
Assembly and fitting instructions



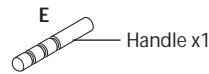
**!** **IMPORTANT** - The unit has a maximum loading limit of 20kg. Load should be evenly distributed across both trays. All fixings supplied must be used for installation. Illustrations show right handed version.

## Parts

**A**  x6 3.5 x 16mm countersunk screw

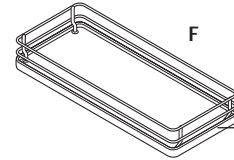
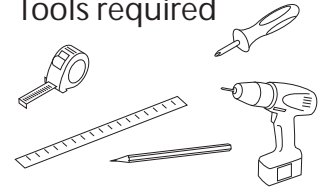


Template x1



Handle x1

## Tools required

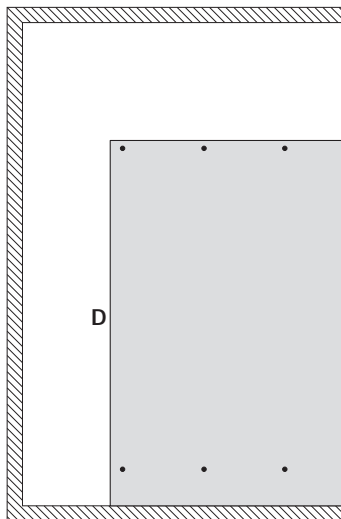


Tray x2

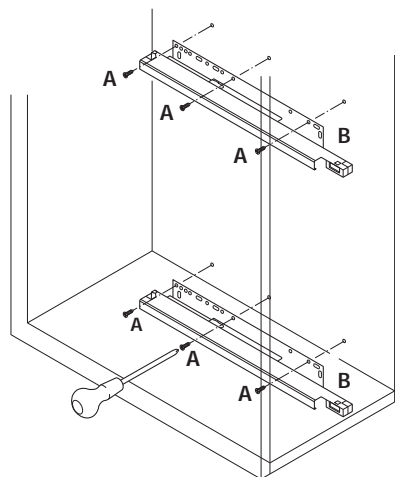


Please ensure that all the above fittings are present before installation begins.

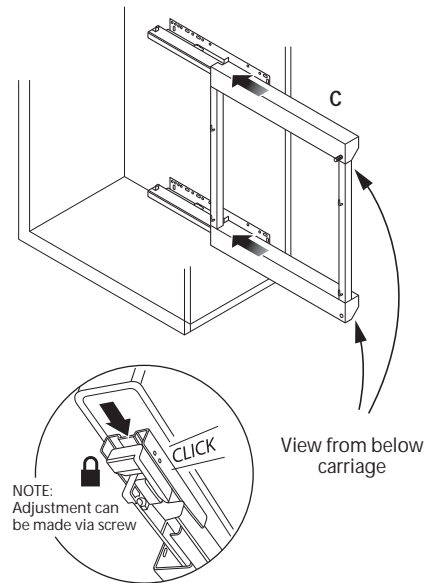
**1** Mark screw positions for runners on right hand side of cabinet.



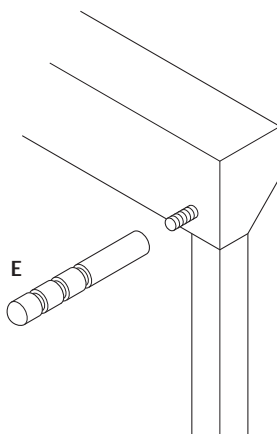
**2** Secure runners to cabinet side.



**3** Slide carriage onto runners ensuring the carriage sits under the back retaining lugs, and click into place.



**4** Fit the opening handle to the carriage.



**5** Fit the trays.



**IMPORTANT** - The unit has a maximum loading limit of 20kg.

