

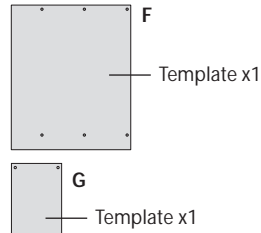
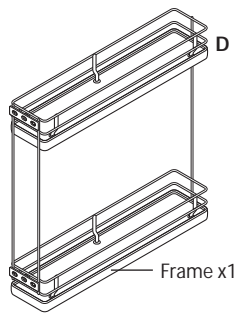
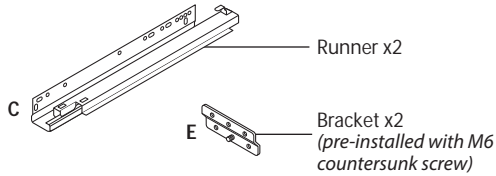
BASE PULL-OUT PLUS - 150mm (IP2B150)

Assembly and fitting instructions

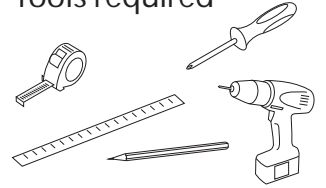
! **IMPORTANT** - The unit has a maximum loading limit of 20kg. All fixings supplied must be used for installation.

Parts

- A** x4 M6 x 12mm screw
- B** x12 3.5 x 16mm countersunk screw

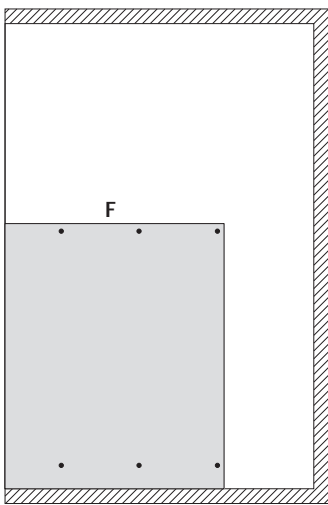


Tools required

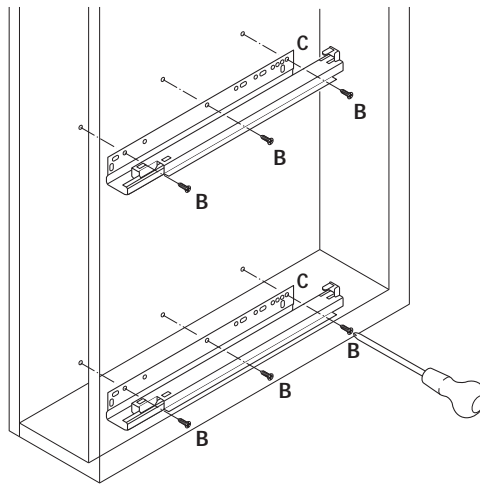


Please ensure that all the above fittings are present before installation begins.

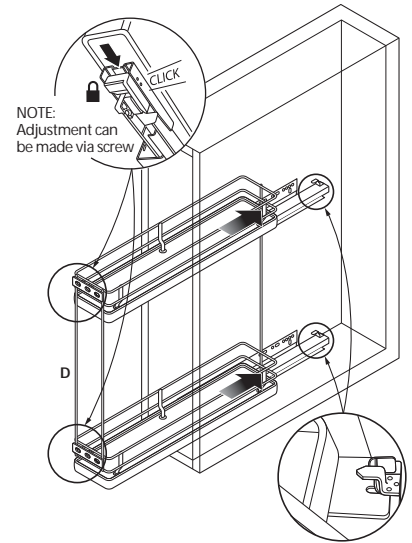
1 Fit runners to left hand side of cabinet. Using template F.



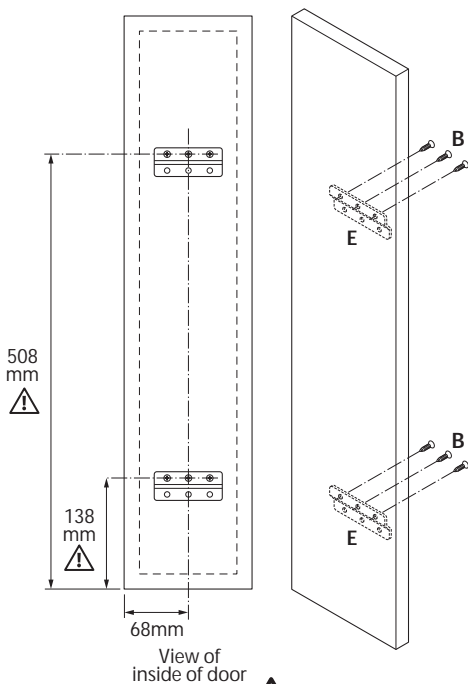
We recommend this operation is carried out before cabinet carcass is assembled.



2 Fit frame to runners.

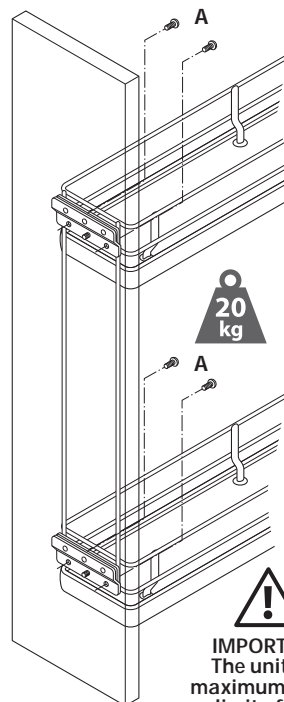


3 Secure brackets to inside face of door. Using template G.



! **IMPORTANT:**
Door dimensions and fitting heights can vary. Adjust accordingly.

4 Fit door to frame.



! **IMPORTANT** - The unit has a maximum loading limit of 20kg.

5 Adjust the door using the screws as shown:

