

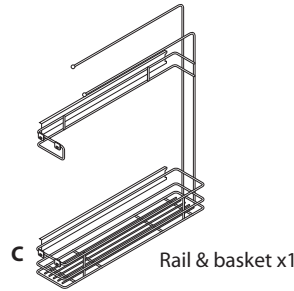
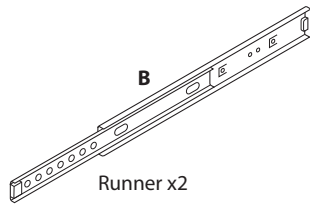
TOWEL RAIL PULL-OUT - 150mm

Assembly and fitting instructions

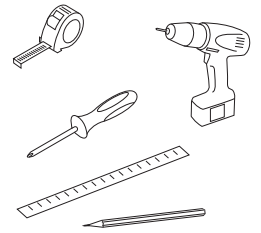
! **IMPORTANT** - The unit has a maximum loading limit of 20kg. All fixings supplied must be used for installation.

Parts

A x12 3.5 x 16mm screw



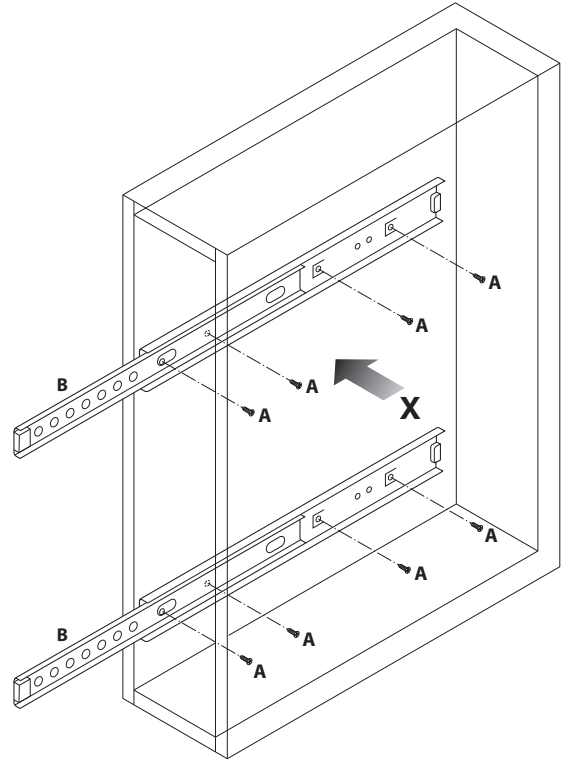
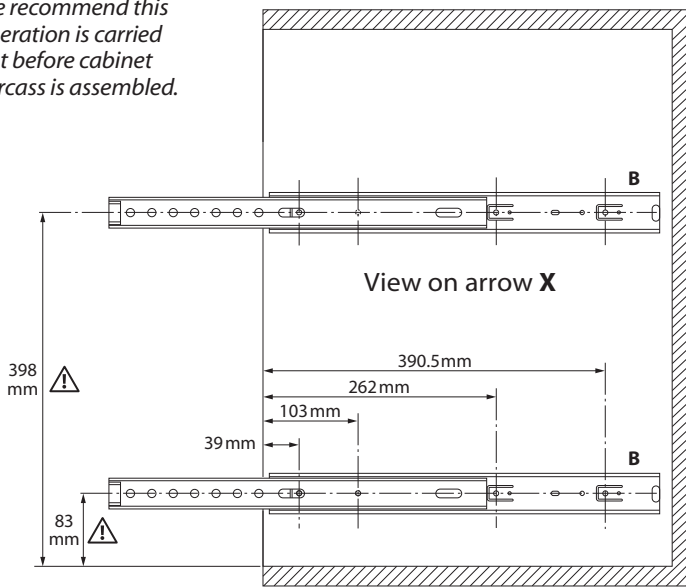
Tools required



! Please ensure that all the above fittings are present before installation begins.

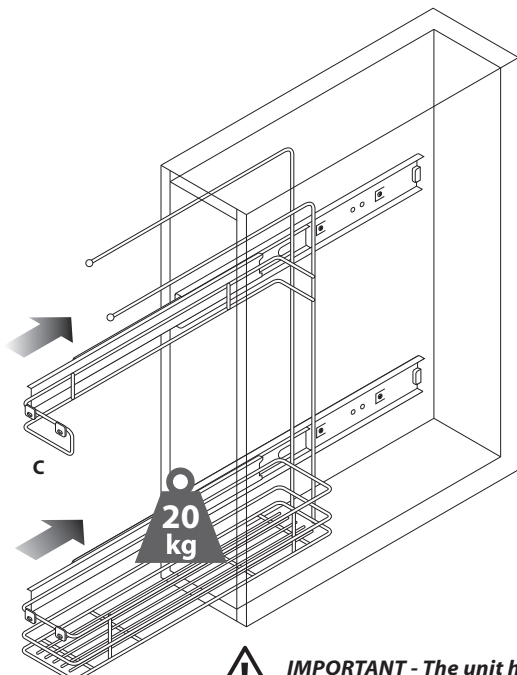
1 Fit runners to cabinet sides.

We recommend this operation is carried out before cabinet carcass is assembled.

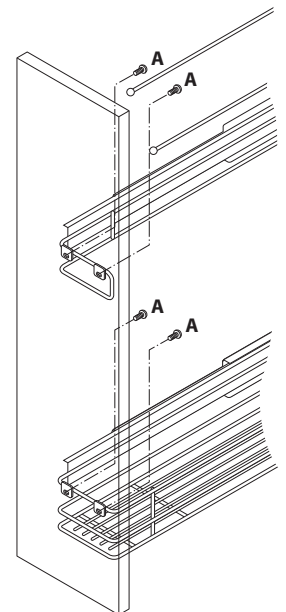
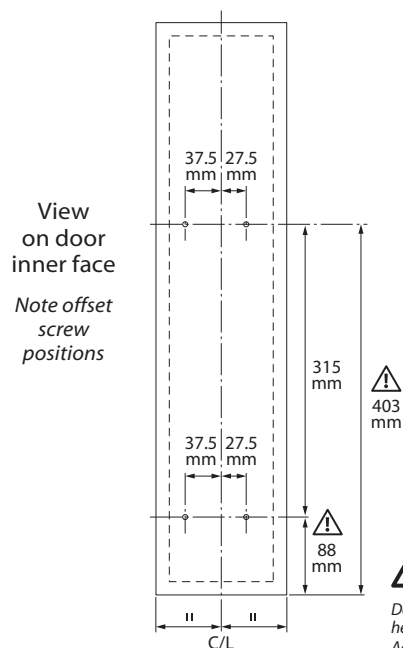


! **IMPORTANT:**
Dimensions are based upon a 18mm thick carcass. For other carcass thickness, adjust accordingly.

2 Fit basket to both runners.



3 Fit door to basket.



! **IMPORTANT:**
Door dimensions and fitting heights can vary. Adjust accordingly.